



Distribution Construction Standard Handbook

Low Voltage Aerial Bundled Cable

Part 07 (A)

© Copyright of Western Power - ABN 18540492861

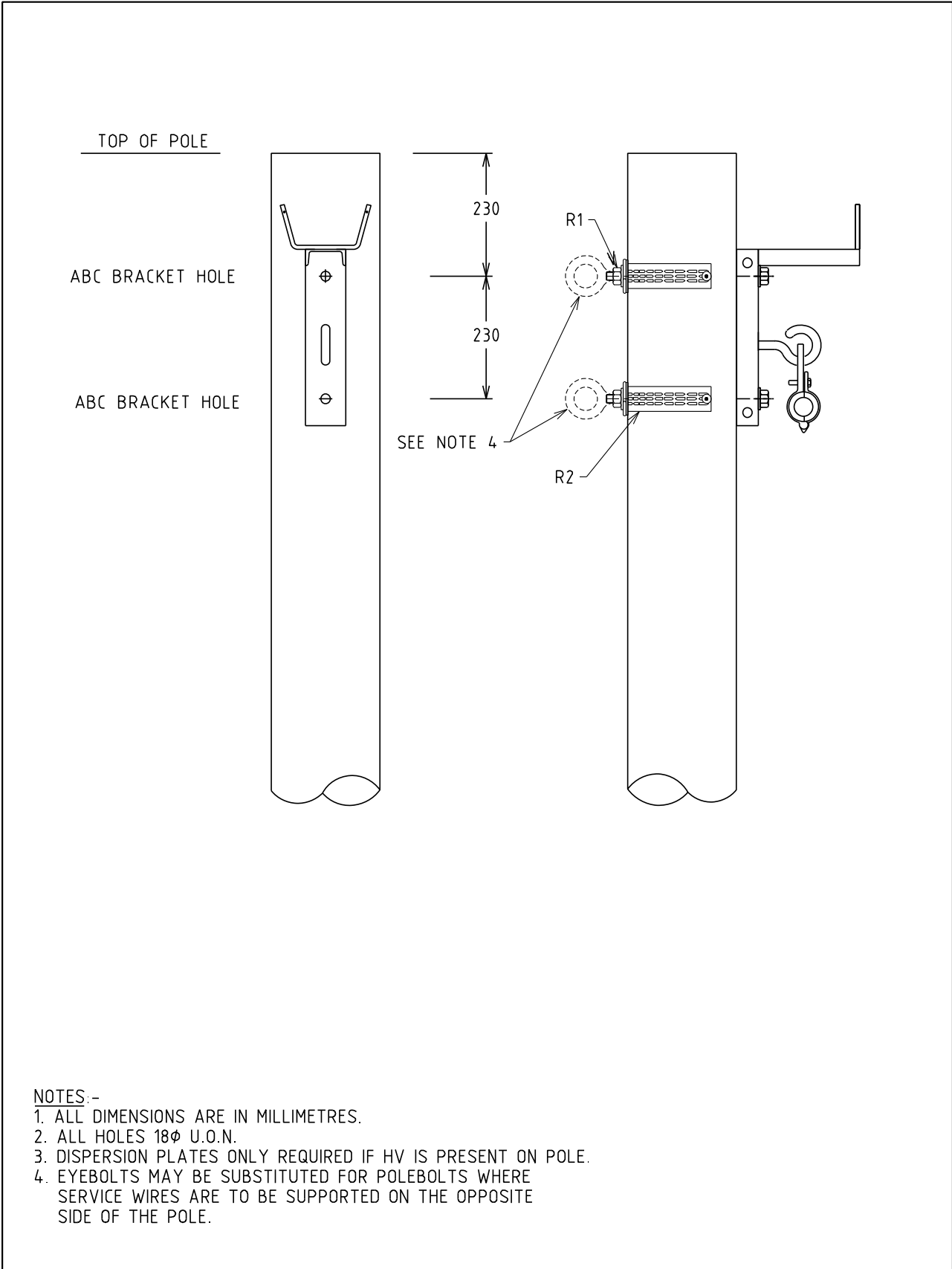


Uncontrolled document when printed. Printed copy expires one week from print date.

EDM #24612566

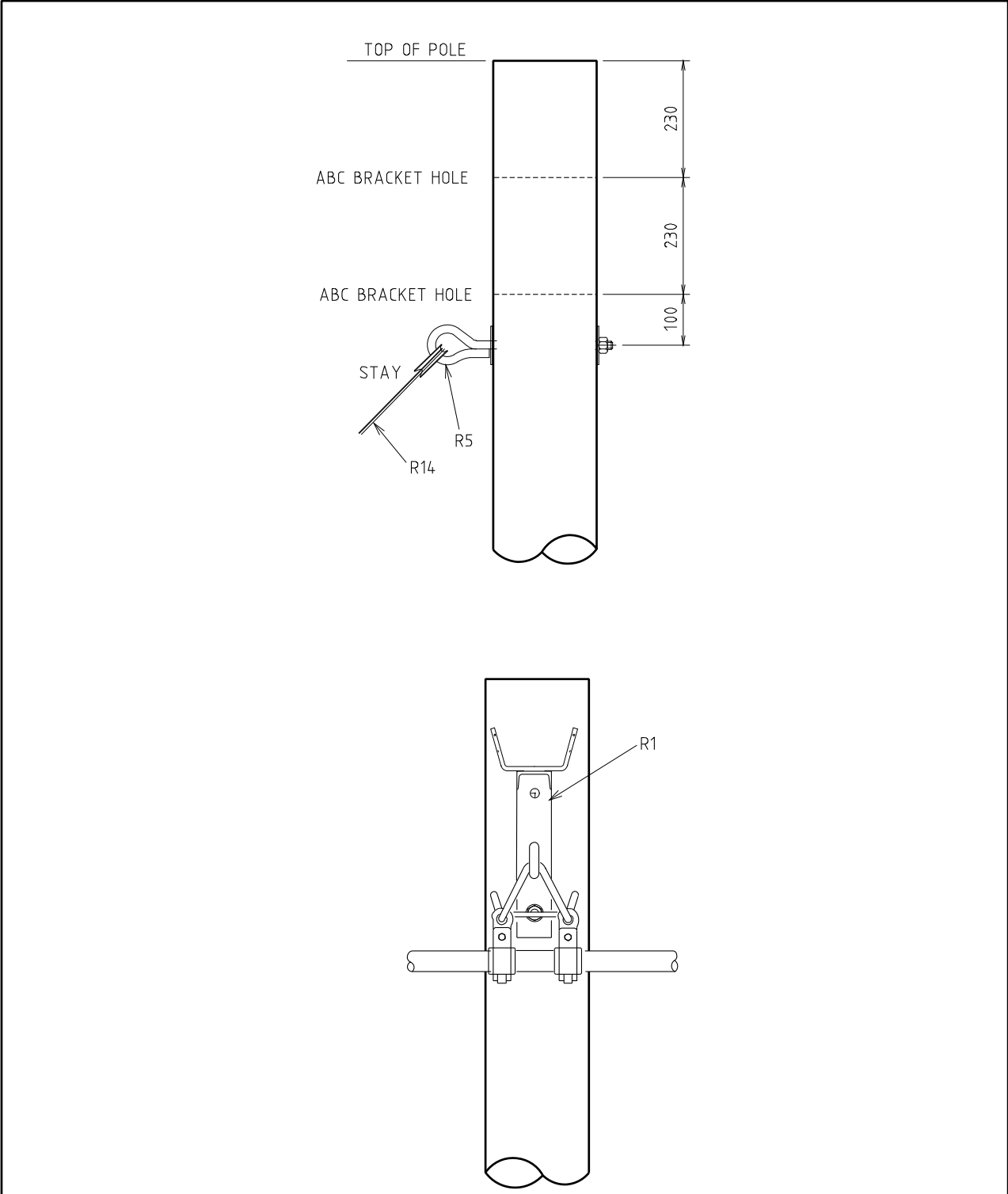
Drawing Register

Number	Revision	Description
A01	C	Intermediate Angle, 0 - 25 degrees, Drilling detail
A02	C	Angle 26 - 50 degrees, Pole Details
A03-1	E	Termination Pole, ABC Details
A03-2	A	Termination - with or without fusing / isolation
A04-1	F	Strain - With or Without Fusing / isolation
A04-2	A	Strain - LV ABC to Bare With Fuse
A05	D	Tee Off, Drilling Details
A06	D	Tee Off, LV Bare to Fused ABC
A07	B	Tee Off, Bare to ABC
A10	A	In Span - Full Tension Joint



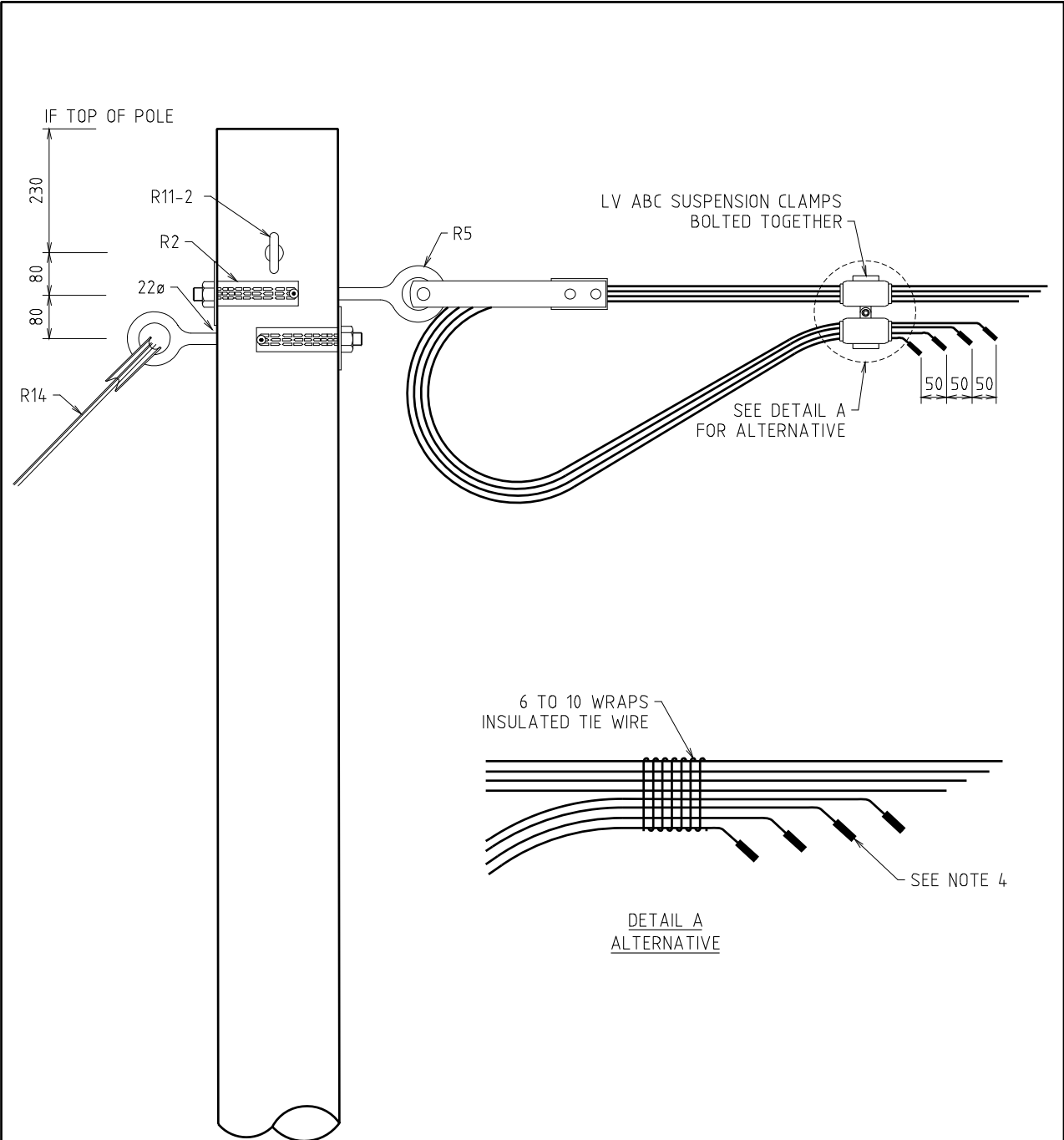
- NOTES:-
1. ALL DIMENSIONS ARE IN MILLIMETRES.
 2. ALL HOLES 18φ U.O.N.
 3. DISPERSION PLATES ONLY REQUIRED IF HV IS PRESENT ON POLE.
 4. EYEBOLTS MAY BE SUBSTITUTED FOR POLEBOLTS WHERE SERVICE WIRES ARE TO BE SUPPORTED ON THE OPPOSITE SIDE OF THE POLE.

				STRUCTURE		DISTRIBUTION CONSTR. STANDARD			
				TITLE		DRAWN: JRR		DATE: 24-03-2014	
				INTERMEDIATE ANGLE 0° - 25°		ORIGINATED:		SCALE: NTS	
				DRILLING DETAILS		CHECKED: REE		A01	
						APPROVED: GRANT STACY			
REV	DATE	DESCRIPTION	DRG.	CHKD.	APRD.				



- NOTES:-
1. ALL DIMENSIONS ARE IN MILLIMETRES.
 2. ALL HOLES 18Ø U.O.N.
 3. REFER TO Dwg. R15 FOR FURTHER DETAILS OF POLE.
 4. DISPERSION PLATES ONLY REQUIRED IF HV IS PRESENT ON POLE.

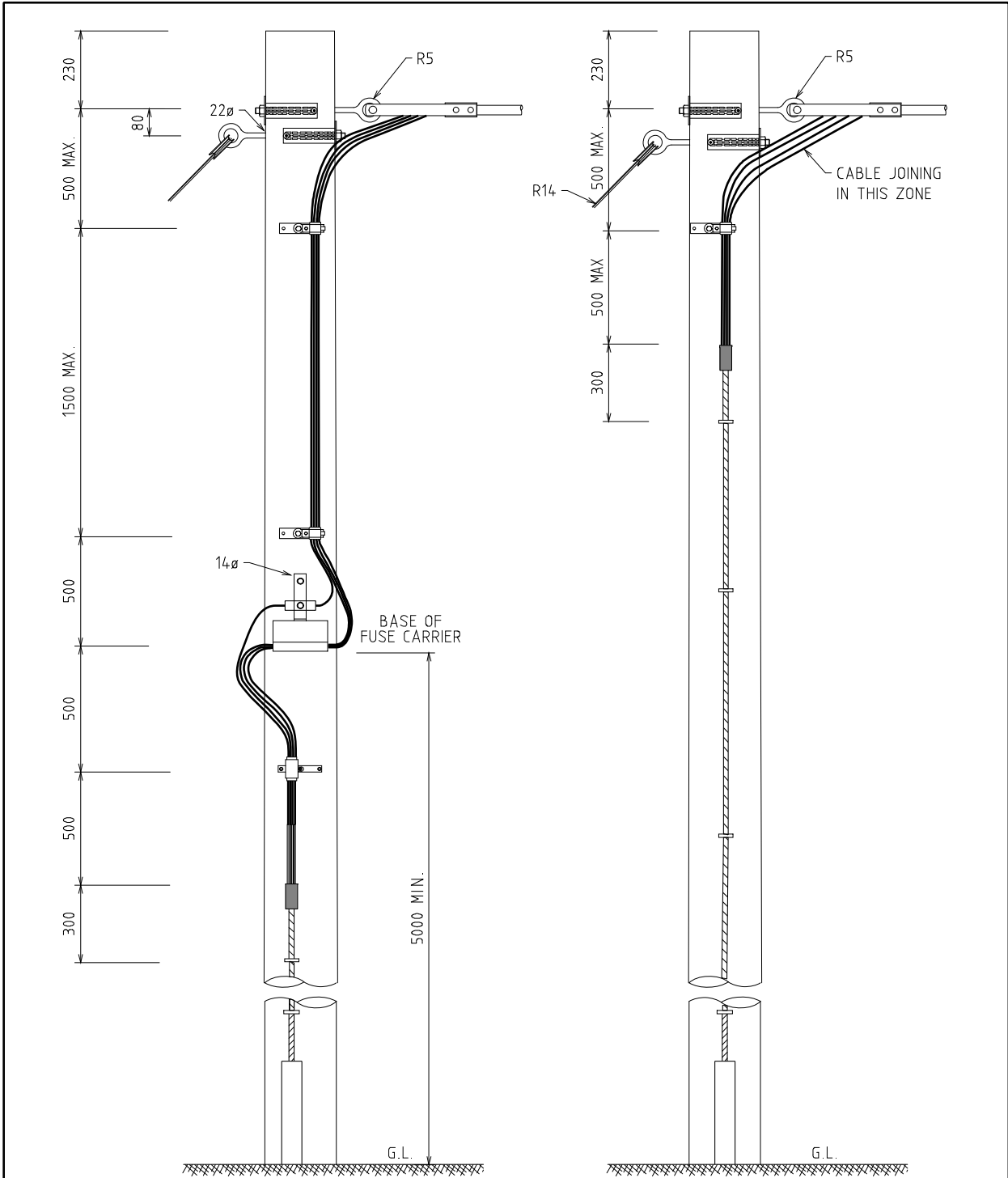
				STRUCTURE			DISTRIBUTION CONSTR. STANDARD		westernpower	
				ANGLE 26° - 50° POLE DETAILS			DRAWN: JRR DATE: 24-03-2014		DRG. No.	
							ORIGINATED: ME SCALE: NTS		A02	
							CHECKED: FK		REV. C	
							APPROVED: GRANT STACY		SHT.	
REV	DATE	DESCRIPTION	DRGD.	CHKD.	APPRD.					
C	23.11.18	NOTES REVISED	JN	REE	GS					
B	04.02.16	DWG. FORMAT & TITLE CHANGED AND NOTES REVISED	ME	FK	GS					
A	12.12.11	ORIGINAL ISSUE								



- NOTES:-
1. ALL DIMENSIONS ARE IN MILLIMETRES.
 2. ALL HOLES 18Ø U.O.N.
 3. DISPERSION PLATES ONLY REQUIRED IF HV IS PRESENT ON POLE.
 4. LV ABC TAILS TO BE CAPPED/SEALED.
 5. SERVICE IPCs CAN BE INSTALLED ON MAINS OR TAIL.

				STRUCTURE			DISTRIBUTION CONSTR. STANDARD		westernpower	
				TITLE			DRAWN: JRR		DATE: 24-03-2014	
				TERMINATION POLE ABC DETAILS			ORIGINATED:		SCALE: NTS	
							CHECKED: REE		DRG. No.	
							APPROVED:		A03-01	
							GRANT STACY		REV. E	
REV	DATE	DESCRIPTION	ORGD.	CHKD.	APRD.					
E	09.09.22	DRAWING NUMBER CHANGED TO A03-01 & DETAILS REVISED	CO	NMc	GS					
D	29.03.19	SUSPENSION CLAMPS & NOTES REVISED	CO	NMc	GS					
C	23.11.18	NOTES REVISED	JN	REE	GS					
B	15.11.04	ORIGINAL ISSUE								

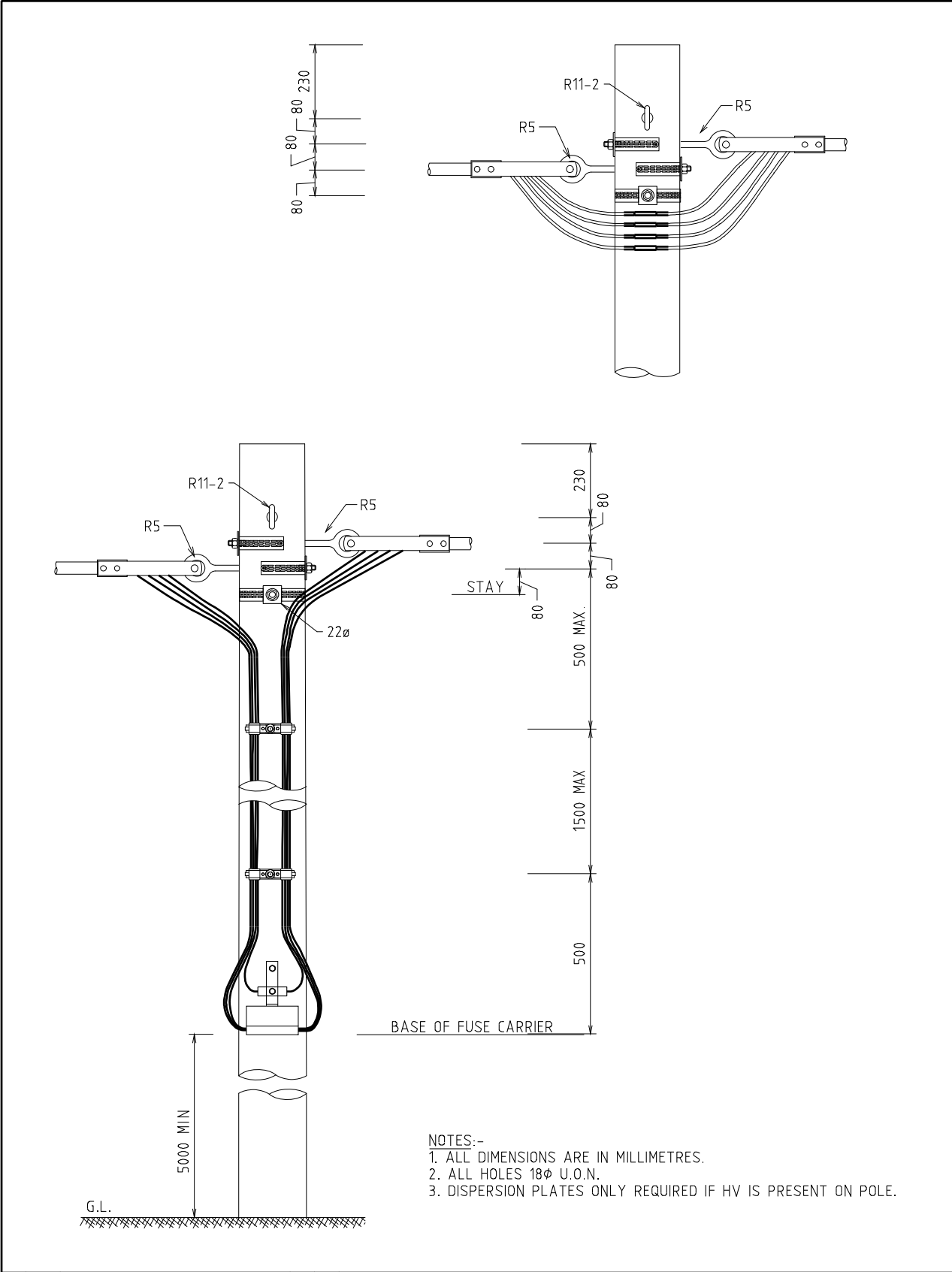




- NOTES:-
 1. ALL DIMENSIONS ARE IN MILLIMETRES.
 2. ALL HOLES 18ø U.O.N.
 3. DISPERSION PLATES ONLY REQUIRED IF HV IS PRESENT ON POLE.

				STRUCTURE		DISTRIBUTION CONSTR. STANDARD		westernpower	
				TITLE		DRAWN: JRR		DATE: 30-05-2022	
				TERMINATION - WITH OR WITHOUT FUSING / ISOLATION		ORIGINATED: CO		SCALE: NTS	
						CHECKED: SH		DRG. No. A03-2	
						APPROVED: GRANT STACY		REV. A	
A 09.09.22 ORIGINAL ISSUE		CO SU GS		ORGD. CHKD. APRD.					
REV	DATE	DESCRIPTION							

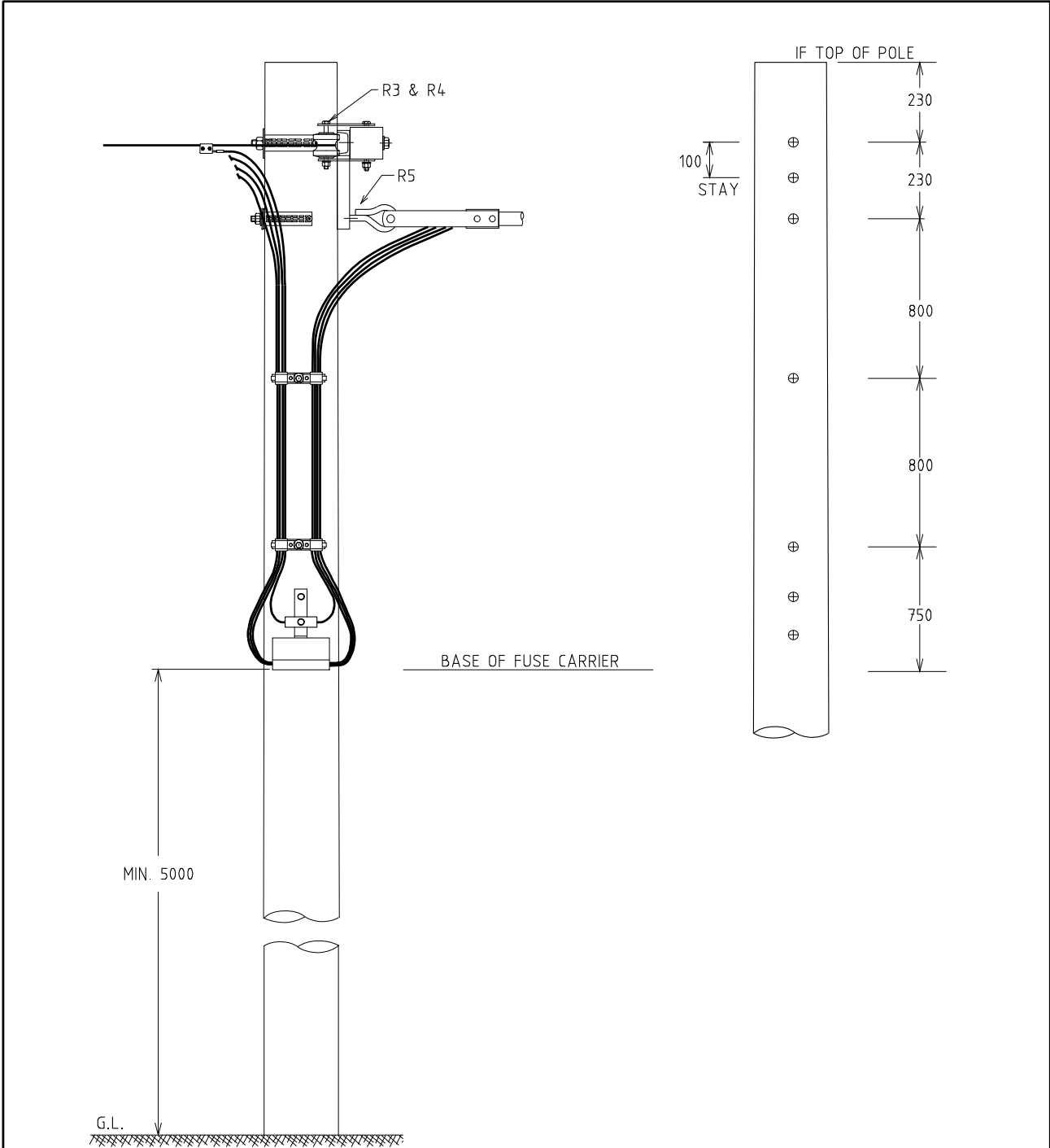




- NOTES:-
 1. ALL DIMENSIONS ARE IN MILLIMETRES.
 2. ALL HOLES 18Ø U.O.N.
 3. DISPERSION PLATES ONLY REQUIRED IF HV IS PRESENT ON POLE.

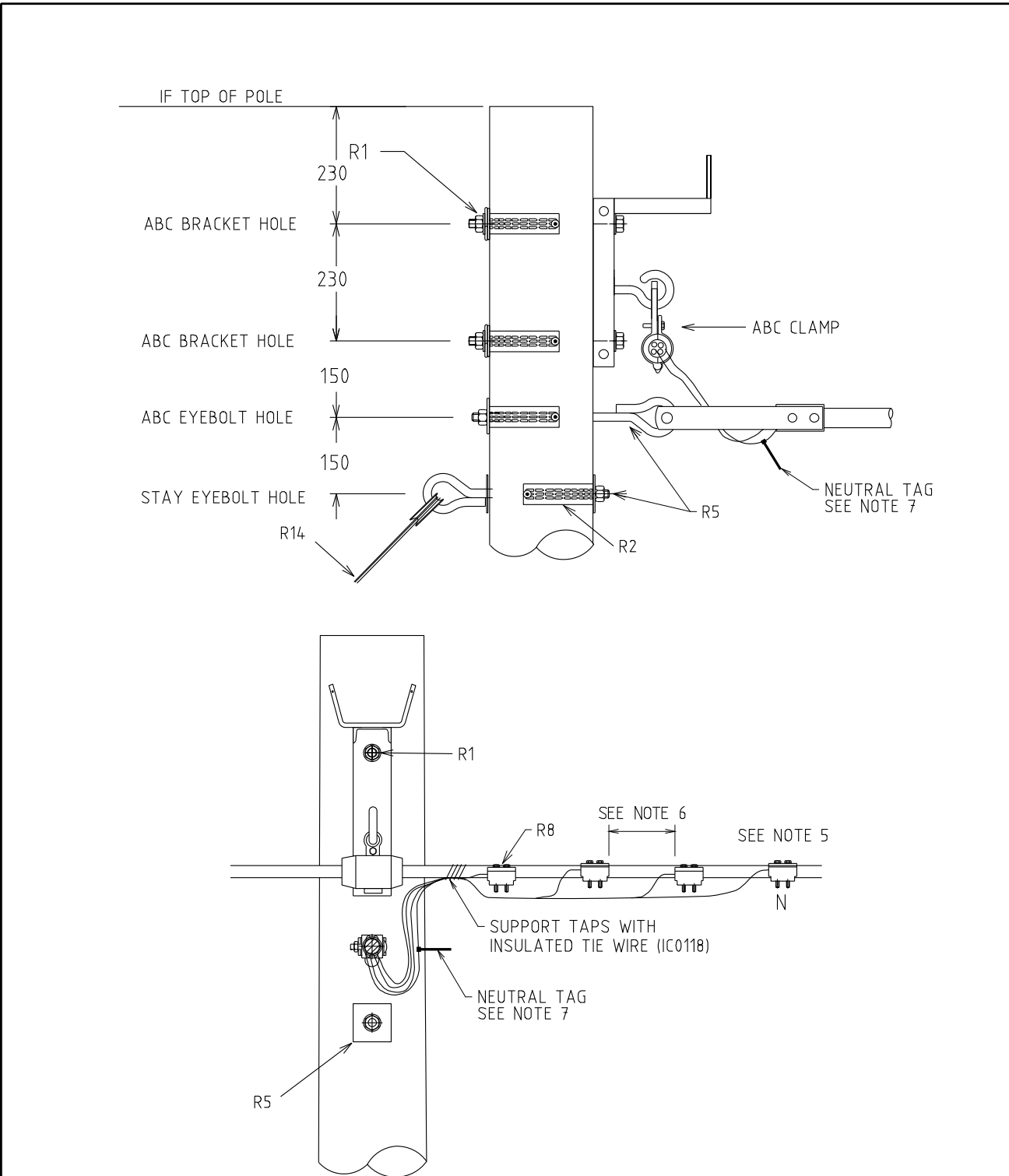
				STRUCTURE			DISTRIBUTION CONSTR. STANDARD		westernpower	
				TITLE			DRAWN: JRR		DATE: 10-03-2014	
				STRAIN - WITH OR WITHOUT FUSING / ISOLATION			ORIGINATED: ME		SCALE: NTS	
							CHECKED: FK		REV. F	
							APPROVED: GRANT STACY		SHT. 1	
REV	DATE	DESCRIPTION	DRG.	CHKD.	APPR.					
F	09.09.22	SERVICE BRACKET REMOVED	CO	NMc	GS					
E	21.06.19	DRAWING NUMBER CHANGED TO A04-1	CO	NMc	GS					
D	23.11.18	NOTE 4 ADDED	JN	REE	GS					





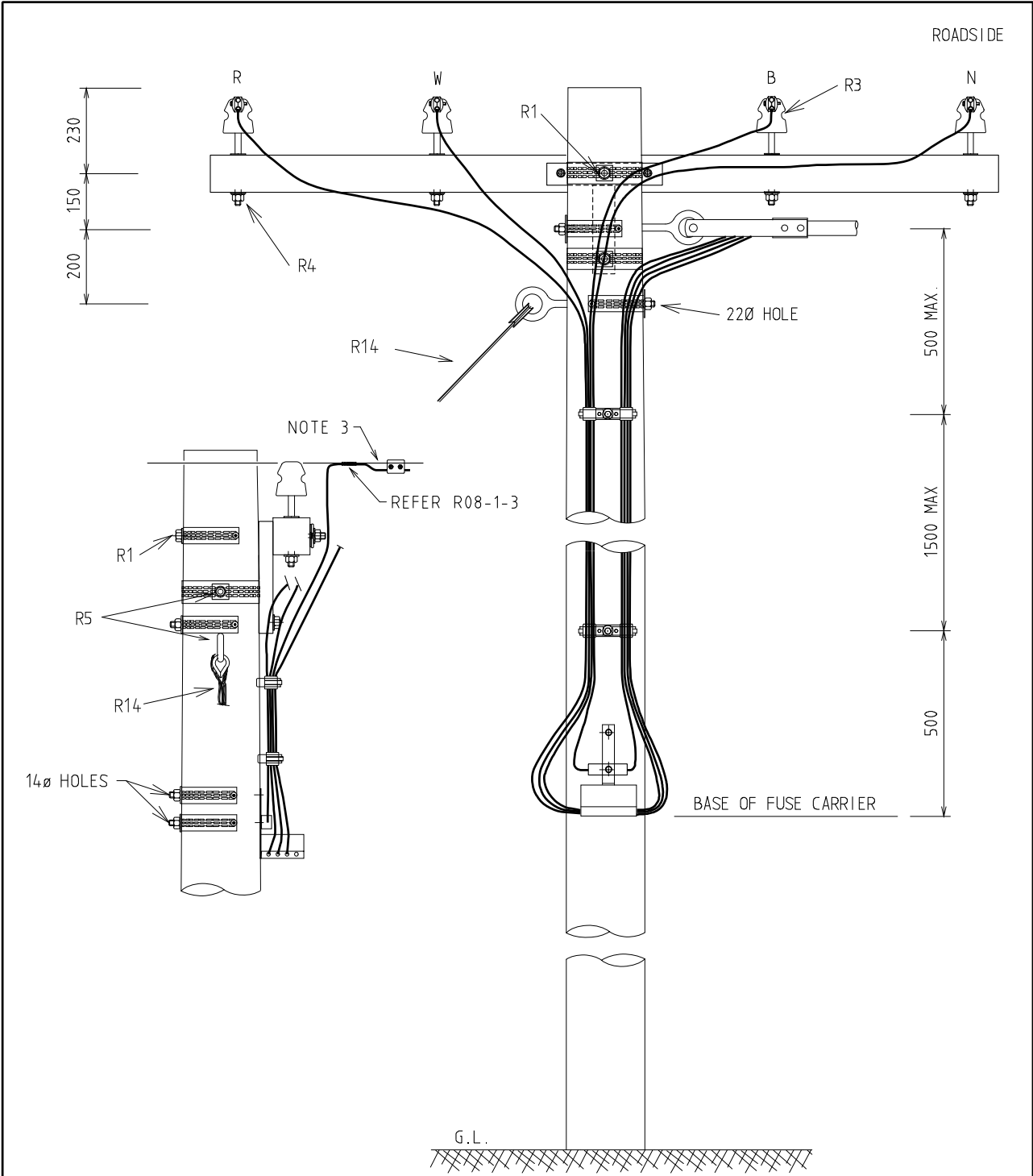
- NOTES:-
1. ALL DIMENSIONS ARE IN MILLIMETRES.
 2. ALL HOLES 18φ U.O.N.
 3. DISPERSION PLATES ONLY REQUIRED IF HV IS PRESENT ON POLE.

				STRUCTURE			DISTRIBUTION CONSTR. STANDARD			
				TITLE						
				STRAIN - LV ABC TO BARE WITH FUSE						
DRAWN: JRR		DATE: 20-06-2019		DRG. No.		A04-2				
ORIGINATED: CO		SCALE: NTS								
CHECKED: NMc										
APPROVED: GRANT STACY				REV. A		SHT.				
A	21.06.19	ORIGINAL ISSUE		CO	NMc	GS				
REV	DATE	DESCRIPTION		DRGD	CHKD	APPRD				



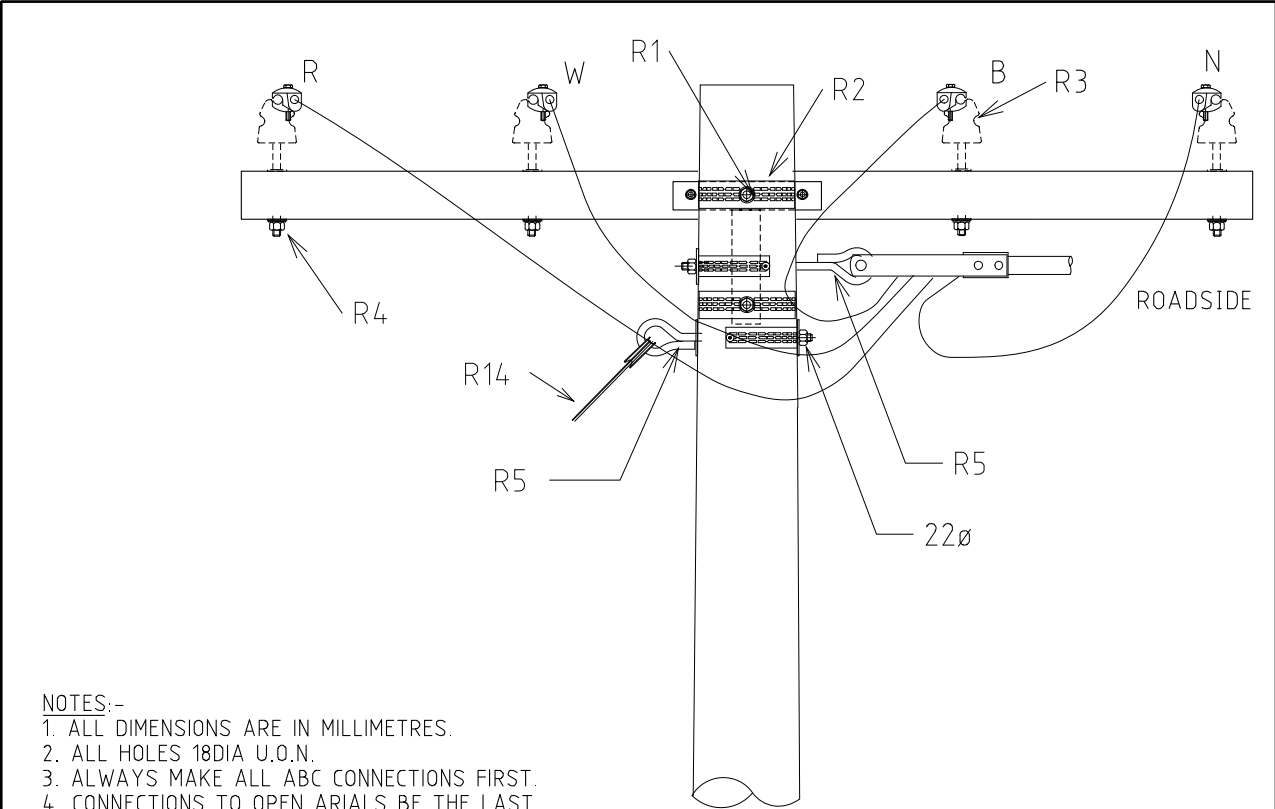
- NOTES:-
1. ALL DIMENSIONS ARE IN MILLIMETRES.
 2. ALL HOLES 18Ø U.O.N.
 3. IPC ARE SINGLE USE ONLY (NOT TO BE RE-USED)
 4. DISPERSION PLATES ONLY REQUIRED IF HV IS PRESENT ON POLE.
 5. NEUTRAL IPC INSTALLED FURTHERMOST FROM THE POLE.
 6. 150mm BETWEEN IPC'S.
 7. NEUTRAL TAG (HG2101) APPLIED WITHIN 300mm OF THE ABC TERMINATION CLAMP.

				STRUCTURE			DISTRIBUTION CONSTR. STANDARD		westernpower		
				TITLE			DRAWN: JRR		DATE: 24-03-2014		DRG. No.
				TEE OFF - DRILLING DETAILS			ORIGINATED:		SCALE: NTS		A05
							CHECKED: REE		APPROVED: GRANT STACY		REV. D
											SHT.
REV	DATE	DESCRIPTION	DRG.	CHKD.	APRD.						
D	31.08.23	NOTE AND DETAILS REVISED	SL	NMc	CO						
C	23.11.18	NOTE 4. ADDED	JN	REE	GS						
B	19.06.18	NOTES REVISED	JC	NMc	GS						
A	25.03.04	ORIGINAL ISSUE									

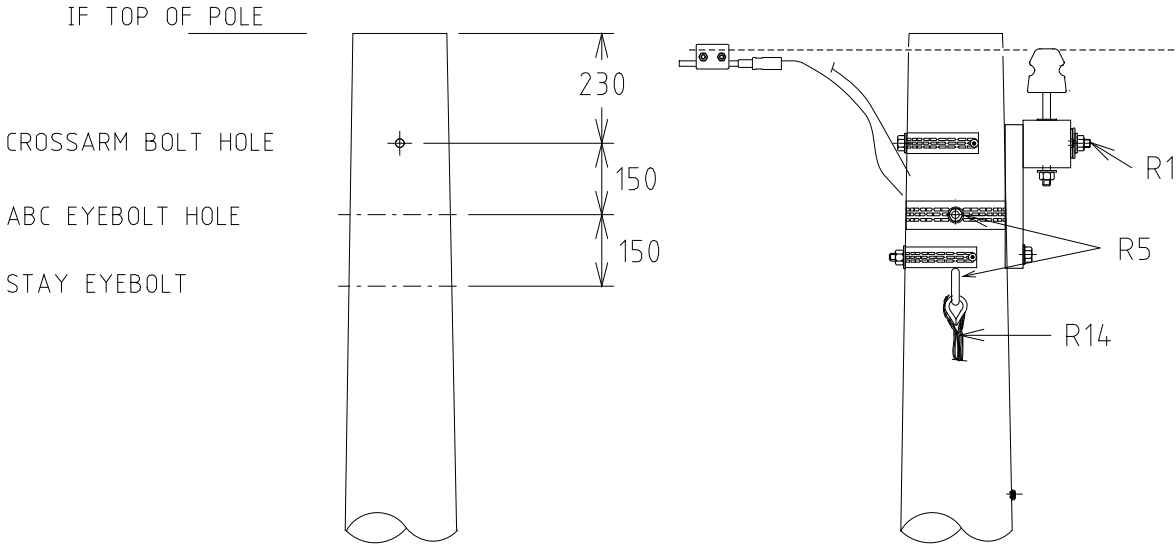


- NOTES:-
1. ALL DIMENSIONS ARE IN MILLIMETRES.
 2. ALL HOLES 18Ø U.O.N.
 3. STALK SPLICE AND PG CLAMP TO BE USED FOR THIS ABC TO BARE AERIAL CONNECTION.
 4. DISPERSION PLATES ONLY REQUIRED IF HV IS PRESENT ON POLE.

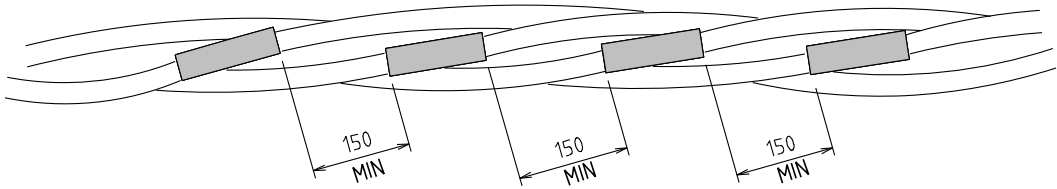
				STRUCTURE			DISTRIBUTION CONSTR. STANDARD				
D	09.09.22	DIMENSIONS REVISED		CO	NMc	GS	DRAWN:	JRR	DATE:	24-03-2014	DRG. No.
C	23.11.18	NOTE 7 ADDED		JN	REE	GS	ORIGINATED:		SCALE:	NTS	A06
B	17.03.17	NEUTRAL LINK AND EXTRA CLAMP ADDED		JC	REE	GS	CHECKED:	REE	APPROVED:	GRANT STACY	
A	21.11.02	ORIGINAL ISSUE								REV. D	
REV	DATE	DESCRIPTION		ORGD.	CHKD.	APRD.					



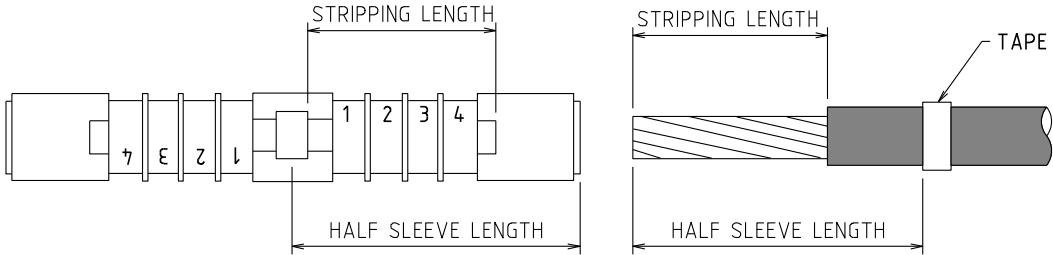
- NOTES:-
1. ALL DIMENSIONS ARE IN MILLIMETRES.
 2. ALL HOLES 18DIA U.O.N.
 3. ALWAYS MAKE ALL ABC CONNECTIONS FIRST.
 4. CONNECTIONS TO OPEN ARIALS BE THE LAST PROCEDURE CARRIED OUT.
 5. PHASING OUT BETWEEN THE ABC CONDUCTORS AND THE OPEN ARIALS MUST BE CARRIED OUT BEFORE CONNECTION IS MADE.
 6. SPLICE AND PG CLAMP TO BE USED FOR THIS ABC TO BARE AERIAL CONNECTION AS ABC IS CONTINUOUS.
 7. DISPERSION PLATES ONLY REQUIRED IF HV IS PRESENT ON POLE.



				STRUCTURE		DISTRIBUTION CONSTR. STANDARD			
				TEE OFF BARE TO ABC		DRAWN: JRR ORIGINATED: REE CHECKED: REE APPROVED: GRANT STACY	DATE: 24-03-2014 SCALE: NTS	DRG. No. A07 REV. B SHT.	
B	23.11.18	NOTE 7 ADDED		JN	REE	GS			
A	21.11.02	ORIGINAL ISSUE							
REV	DATE	DESCRIPTION		ORGD.	CHKD.	APRD.			



JOINT LAYOUT



JOINT PREPARATION

- NOTES:-
1. ALL DIMENSIONS ARE IN MILLIMETRES.
 2. ENSURE PHASES AND NEUTRAL ARE CORRECTLY MATCHED AND ORIENTED.
 3. EACH CORE MUST BE CUT ACCURATELY TO ENSURE CORRECT BALANCE OF TENSIONS.
 3. MARK CABLE END WITH TAPE AT HALF SLEEVE LENGTH.
 4. STRIP INSULATION AS SHOWN ON DRAWING.
 5. INSERT CABLE INTO SLEEVE INSURING TAPE MARK IS WITHIN 1-2mm OF FULL PENETRATION.
 6. CRIMP WITH APPROPRIATE DIE, IN SEQUENCE STARTING AT NUMBER 1.
 7. DO NOT OVERLAP THE CRIMPS.

				STRUCTURE			DISTRIBUTION CONSTR. STANDARD			
				TITLE			DRAWN: JRR DATE: 02-06-2017		DRG. No.	
				IN SPAN - FULL TENSION JOINT			ORIGINATED: REE SCALE: NTS		A 10	
							CHECKED: NMc		REV. SHT.	
							APPROVED: GRANT STACY		A	
A	02.06.17	ORIGINAL ISSUE		REE	NMc	GS				
REV	DATE	DESCRIPTION		ORGO.	CHKD.	APRO.				