



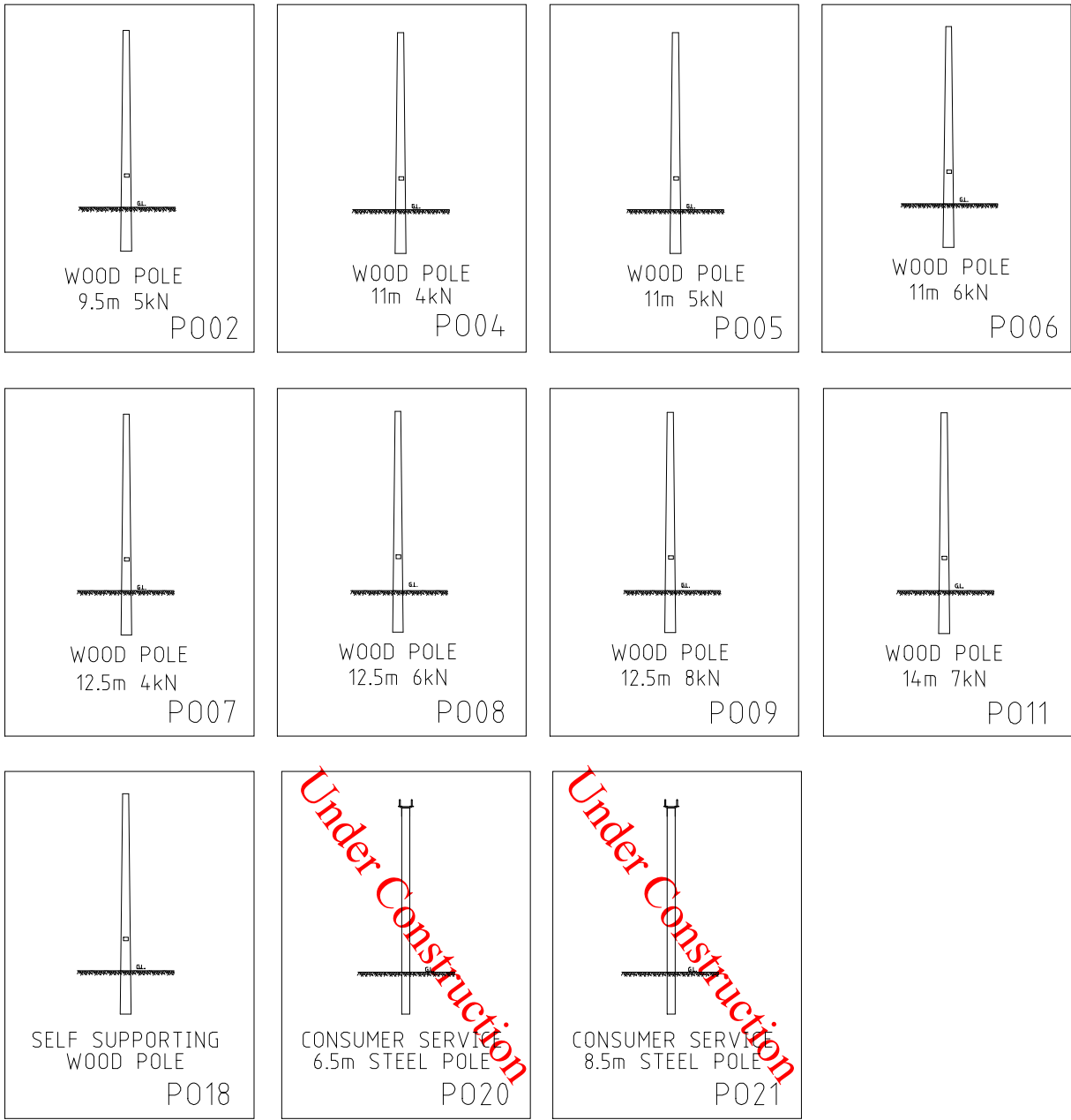
Distribution Design Catalogue

Poles

Section 02

PO Drawings Revision List

CU	DATE	REVISION	DESCRIPTION OF REVISION
	Sept 2002		Original Issue
	Sept 2007		See Amendment List
	Jan 2008		See Amendment List
	Dec 2009		See Amendment List and Revised Format
	Feb 2010		See Amendment List
	Sept 2014		See Amendment List
	Jan 2015		See Amendment List
	July 2015		See Amendment List
	Aug 2015		See Amendment List
	Sept 2015		See Amendment List
	Nov 2015		See Amendment List
	Feb 2016		See Amendment List
	Mar 2016		See Amendment List
	Oct 2016		See Amendment List
	Jan 2018		See Amendment List
	Apr 2018		See Amendment List
	Feb 2021		3-Yearly periodic review
	Jun 2021		See Amendment List



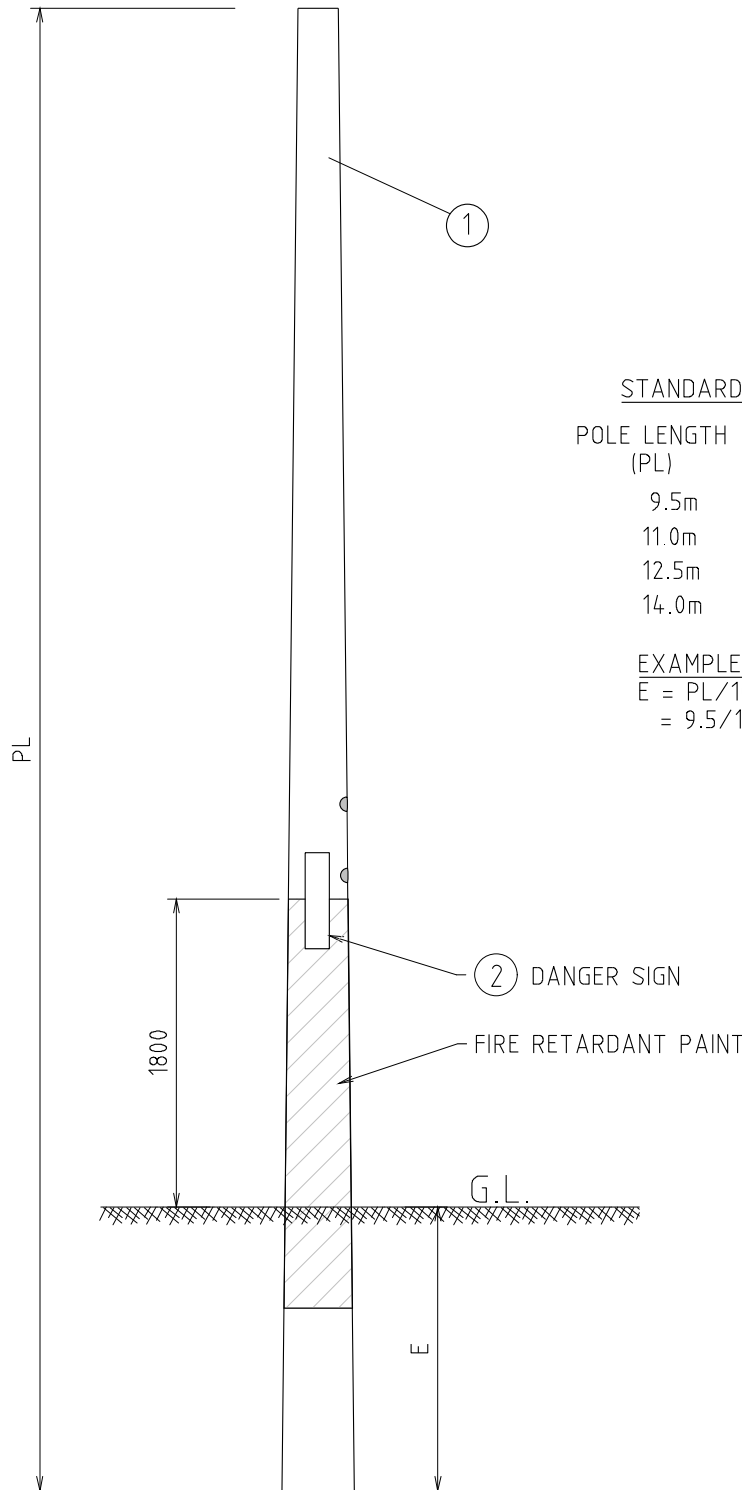
Under Construction

Under Construction

				COMPATIBLE UNIT			DISTRIBUTION DESIGN CATALOGUE			
				TITLE			DRAWN: JRR DATE: 17-04-2014 DRG. No.		PO INDEX	
				PO COMPATIBLE UNITS			ORIGINATED: AK SCALE: NTS		REV. D	
							CHECKED: DVT		SHT.	
							APPROVED: GRANT STACY			
REV	DATE	DESCRIPTION	DRGD	CHKD	APRD					
D	15.02.16	CONSUMER SERVICE STEEL POLE ADDED	DVT	AK	GS					
C	26.08.14	FORMAT CHANGED AND DRAWING REVISED	DVT	AK	GS					
B	03.09.12	ORIGINAL ISSUE								

Poles CU List

CU	CU DESCRIPTION
PO2	Wood pole 9.5m 5kN
PO2_R	Wood pole 9.5m 5kN rural painted
PO4_M	Wood pole 11m 4kN metro
PO4_R	Wood pole 11m 4kN rural painted
PO5_M	Wood pole 11m 5kN metro
PO5_R	Wood pole 11m 5kN rural painted
PO6_M	Wood pole 11m 6kN metro
PO6_R	Wood pole 11m 6kN rural painted
PO7_M	Wood pole 12.5m 4kN metro
PO7_R	Wood pole 12.5m 4kN rural painted
PO8_M	Wood pole 12.5m 6kN metro
PO8_R	Wood pole 12.5m 6kN rural painted
PO9_M	Wood pole 12.5m 8kN metro
PO9_R	Wood pole 12.5m 8kN rural painted
PO11_M	Wood pole 14m 8kN metro
PO11_R	Wood pole 14m 8kN rural painted
PO18_11M	SSP 11m Pole (8.45m above ground)
PO18_11R	SSP 11m Pole (8.45m above ground) Painted
PO18_12.5M	SSP 12.5m Pole (9.7m above ground)
PO18_12.5R	SSP 12.5m Pole (9.7m above ground) Painted
PO18_14M	SSP 14m Pole (11m above ground)
PO18_14R	SSP 14m Pole (11m above ground) Painted



STANDARD POLE EMBEDMENT

POLE LENGTH (PL)	EMBEDMENT DEPTH (E)
9.5m	1.55m
11.0m	1.70m
12.5m	1.85m
14.0m	2.00m

EXAMPLE 9.5m POLE

$$E = PL/10 + 0.6m$$

$$= 9.5/10 + 0.6 = 1.55m$$

				COMPATIBLE UNIT			DISTRIBUTION DESIGN CATALOGUE			
				TITLE			DRAWN: JRR		DATE: 17-04-2014	
				WOOD POLE			ORIGINATED:		SCALE: NTS	
							CHECKED: DVT		DRG. No. P002-P011	
							APPROVED:		REV. F	
REV	DATE	DESCRIPTION	ORGD.	CHKD.	APRD.	GRANT STACY		SHT.		

CU	CU Description
----	----------------

PO2 Wood pole 9.5m 5 kN					
ITEM NUMBER	STOCK CODE	DESCRIPTION	QTY ROD	UNIT OF MEASURE	REMARKS
1	CW1205	Wood pole 9.5m 5 kN	1	ea	
2	CZ0226	Danger Sign	1	ea	

PO2_R Wood pole 9.5m 5 kN rural painted					
ITEM NUMBER	STOCK CODE	DESCRIPTION	QTY ROD	UNIT OF MEASURE	REMARKS
1	CW1101	Wood pole 9.5m 5 kN painted	1	ea	
2	CZ0226	Danger Sign	1	ea	

PO4_M Wood pole 11m 4kN metro					
ITEM NUMBER	STOCK CODE	DESCRIPTION	QTY ROD	UNIT OF MEASURE	REMARKS
1	CW1214	Wood pole 11m 4kN	1	ea	
2	CZ0227	Danger Sign	1	ea	

PO4_R Wood pole 11m 4kN rural painted					
ITEM NUMBER	STOCK CODE	DESCRIPTION	QTY ROD	UNIT OF MEASURE	REMARKS
1	CW1103	Wood pole 11m 4kN painted	1	ea	
2	CZ0227	Danger Sign	1	ea	

PO5_M Wood pole 11m 5 kN metro					
ITEM NUMBER	STOCK CODE	DESCRIPTION	QTY ROD	UNIT OF MEASURE	REMARKS
1	CW1215	Wood pole 11m 5 kN	1	ea	
2	CZ0227	Danger Sign	1	ea	

PO5_R Wood pole 11m 5 kN rural painted					
ITEM NUMBER	STOCK CODE	DESCRIPTION	QTY ROD	UNIT OF MEASURE	REMARKS
1	CW1113	Wood pole 11m 5 kN painted	1	ea	
2	CZ0227	Danger Sign	1	ea	

CU	CU Description
----	----------------

PO6_M Wood pole 11m 6 kN metro					
ITEM NUMBER	STOCK CODE	DESCRIPTION	QTY ROD	UNIT OF MEASURE	REMARKS
1	CW1216	Wood pole 11m 6 kN	1	ea	
2	CZ0227	Danger Sign	1	ea	

PO6_R Wood pole 11m 6 kN rural painted					
ITEM NUMBER	STOCK CODE	DESCRIPTION	QTY ROD	UNIT OF MEASURE	REMARKS
1	CW1102	Wood pole 11m 6 kN painted	1	ea	
2	CZ0227	Danger Sign	1	ea	

PO7_M Wood pole 12.5m 4 kN metro					
ITEM NUMBER	STOCK CODE	DESCRIPTION	QTY ROD	UNIT OF MEASURE	REMARKS
1	CW1224	Wood pole 12.5m 4 kN	1	ea	
2	CZ0227	Danger Sign	1	ea	

PO7_R Wood pole 12.5m 4 kN rural painted					
ITEM NUMBER	STOCK CODE	DESCRIPTION	QTY ROD	UNIT OF MEASURE	REMARKS
1	CW1104	Wood pole 12.5m 4 kN painted	1	ea	
2	CZ0227	Danger Sign	1	ea	

PO8_M Wood pole 12.5m 6 kN metro					
ITEM NUMBER	STOCK CODE	DESCRIPTION	QTY ROD	UNIT OF MEASURE	REMARKS
1	CW1226	Wood pole 12.5m 6 kN	1	ea	
2	CZ0228	Danger Sign	1	ea	

PO8_R Wood pole 12.5m 6 kN rural painted					
ITEM NUMBER	STOCK CODE	DESCRIPTION	QTY ROD	UNIT OF MEASURE	REMARKS
1	CW1105	Wood pole 12.5m 6 kN painted	1	ea	
2	CZ0228	Danger Sign	1	ea	

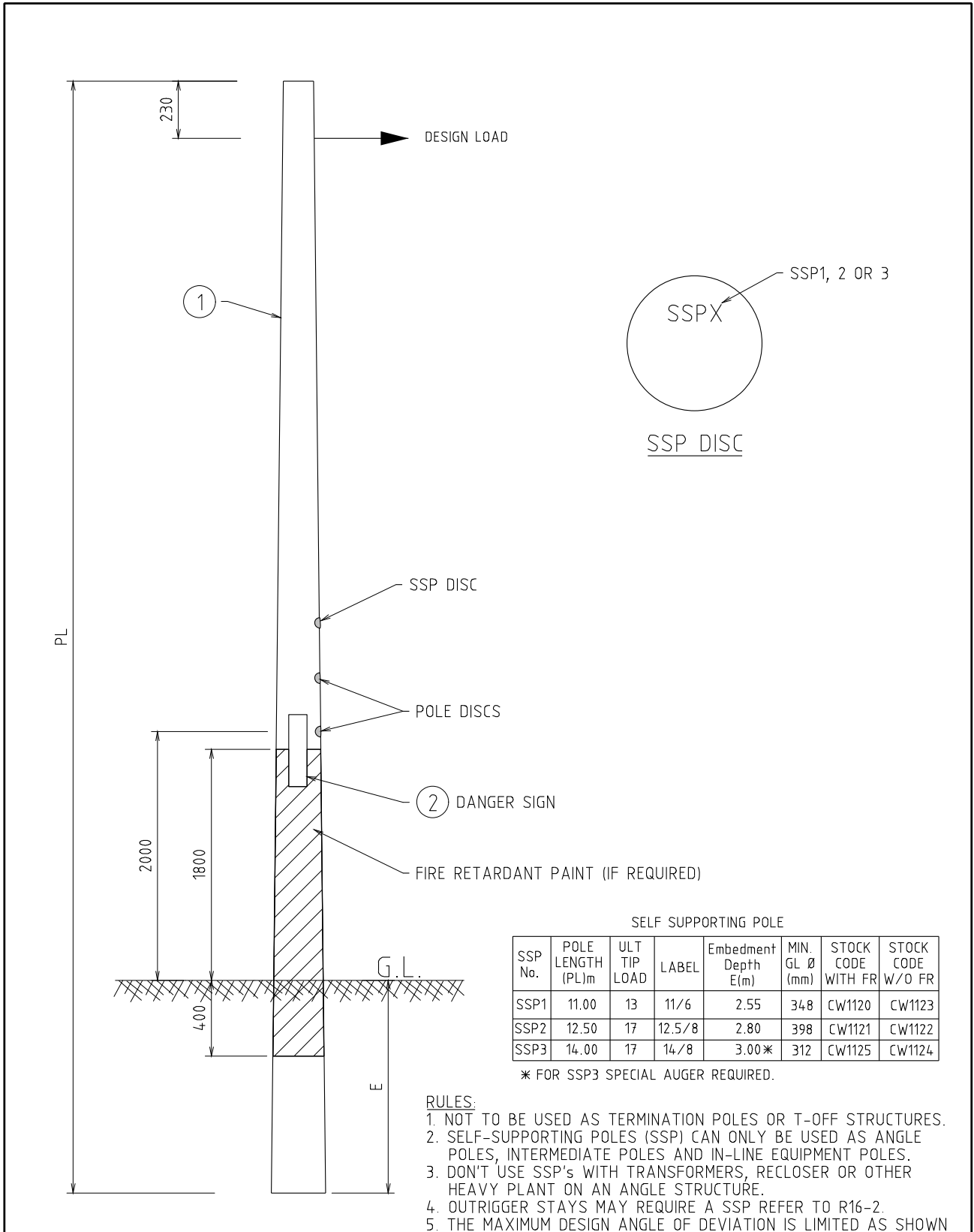
CU	CU Description
----	----------------

PO9_M Wood pole 12.5m 8 kN metro					
ITEM NUMBER	STOCK CODE	DESCRIPTION	QTY ROD	UNIT OF MEASURE	REMARKS
1	CW1228	Wood pole 12.5m 8 kN	1	ea	
2	CZ0228	Danger Sign	1	ea	

PO9_R Wood pole 12.5m 8 kN rural painted					
ITEM NUMBER	STOCK CODE	DESCRIPTION	QTY ROD	UNIT OF MEASURE	REMARKS
1	CW1112	Wood pole 12.5m 8 kN painted	1	ea	
2	CZ0228	Danger Sign	1	ea	

PO11_M Wood pole 14m 8 kN metro					
ITEM NUMBER	STOCK CODE	DESCRIPTION	QTY ROD	UNIT OF MEASURE	REMARKS
1	CW1247	Wood pole 14m 8kN	1	ea	
2	CZ0227	Danger Sign	1	ea	

PO11_R Wood pole 14m 8 kN rural painted					
ITEM NUMBER	STOCK CODE	DESCRIPTION	QTY ROD	UNIT OF MEASURE	REMARKS
1	CW1106	Wood pole 14m 8kN painted	1	ea	
2	CZ0227	Danger Sign	1	ea	



SELF SUPPORTING POLE

SSP No.	POLE LENGTH (PL)m	ULT TIP LOAD	LABEL	Embedment Depth E(m)	MIN. GL Ø (mm)	STOCK CODE WITH FR	STOCK CODE W/O FR
SSP1	11.00	13	11/6	2.55	348	CW1120	CW1123
SSP2	12.50	17	12.5/8	2.80	398	CW1121	CW1122
SSP3	14.00	17	14/8	3.00*	312	CW1125	CW1124

* FOR SSP3 SPECIAL AUGER REQUIRED.

- RULES:**
1. NOT TO BE USED AS TERMINATION POLES OR T-OFF STRUCTURES.
 2. SELF-SUPPORTING POLES (SSP) CAN ONLY BE USED AS ANGLE POLES, INTERMEDIATE POLES AND IN-LINE EQUIPMENT POLES.
 3. DON'T USE SSP'S WITH TRANSFORMERS, RECLOSER OR OTHER HEAVY PLANT ON AN ANGLE STRUCTURE.
 4. OUTRIGGER STAYS MAY REQUIRE A SSP REFER TO R16-2.
 5. THE MAXIMUM DESIGN ANGLE OF DEVIATION IS LIMITED AS SHOWN IN R13-4.

NOTES:-
1. ALL DIMENSIONS ARE IN MILLIMETRES U.N.O.

				COMPATIBLE UNIT			DISTRIBUTION DESIGN CATALOGUE		westernpower	
L	17.06.21	ITEM 3 DELETED		CO	REE	GS	DRAWN: JRR DATE: 30-05-2016		DRG. No.	
K	01.03.18	ITEM 3 ADDED		JC	REE	GS	ORIGINATED: DVT SCALE: NTS		P018	
J	11.01.18	NOTES REVISED		MD	GS	GS	CHECKED: AK			
H	30.10.15	SSP3 ADDED IN THE TABLE		DVT	AT	GS	APPROVED:		REV. L	
REV	DATE	DESCRIPTION		DRGD.	CHKD.	APRD.	GRANT STACY			



CU	CU Description
----	----------------

PO18_11M		SSP 11m Pole (8.45m above gnd.)			
ITEM NUMBER	STOCK CODE	DESCRIPTION	QTY ROD	UNIT OF MEASURE	REMARKS
1	CW1123	Wood pole 11m 6kN	1	ea	
2	CZ0226	Danger Sign	1	ea	

PO18_11R		SSP 11m Pole (8.45m above gnd.) Painted			
ITEM NUMBER	STOCK CODE	DESCRIPTION	QTY ROD	UNIT OF MEASURE	REMARKS
1	CW1120	Wood pole 11m 6kN Painted	1	ea	
2	CZ0226	Danger Sign	1	ea	

PO18_12.5M		SSP 12.5m Pole (9.7m above gnd.)			
ITEM NUMBER	STOCK CODE	DESCRIPTION	QTY ROD	UNIT OF MEASURE	REMARKS
1	CW1122	Wood pole 12.5m 8kN	1	ea	
2	CZ0227	Danger Sign	1	ea	

PO18_12.5R		SSP 12.5m Pole (9.7m above gnd.) Painted			
ITEM NUMBER	STOCK CODE	DESCRIPTION	QTY ROD	UNIT OF MEASURE	REMARKS
1	CW1121	Wood pole 12.5m 8kN Painted	1	ea	
2	CZ0227	Danger Sign	1	ea	

PO18_14M		SSP 14m Pole (11m above gnd.)			
ITEM NUMBER	STOCK CODE	DESCRIPTION	QTY ROD	UNIT OF MEASURE	REMARKS
1	CW1124	Wood pole 14m 8kN	1	ea	
2	CZ0228	Danger Sign	1	ea	

PO18_14R		SSP 14m Pole (11m above gnd.) Painted			
ITEM NUMBER	STOCK CODE	DESCRIPTION	QTY ROD	UNIT OF MEASURE	REMARKS
1	CW1125	Wood pole 14m 8kN Painted	1	ea	
2	CZ0228	Danger Sign	1	ea	