



Distribution Design Catalogue

Running Earth and Street Light Feed

Section 03 (RE)

© Copyright of Western Power
ABN 18540492861

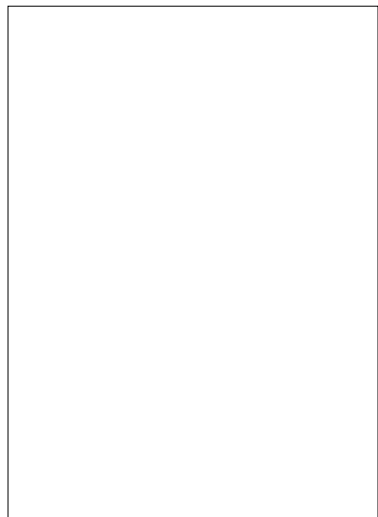
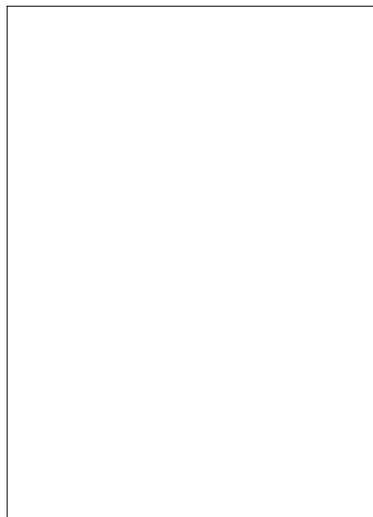
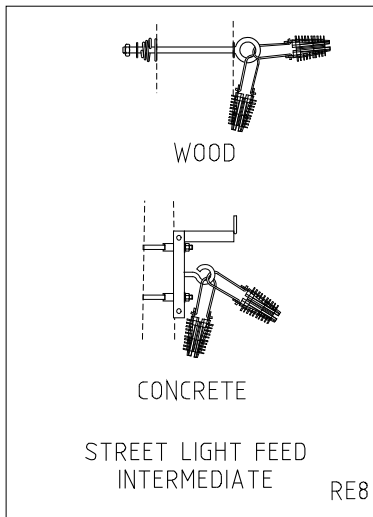
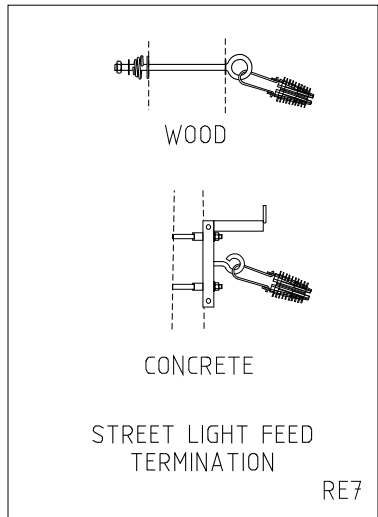
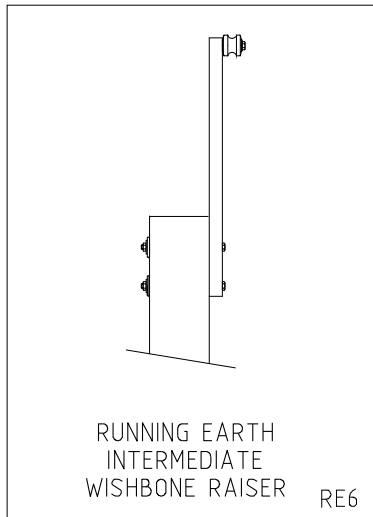
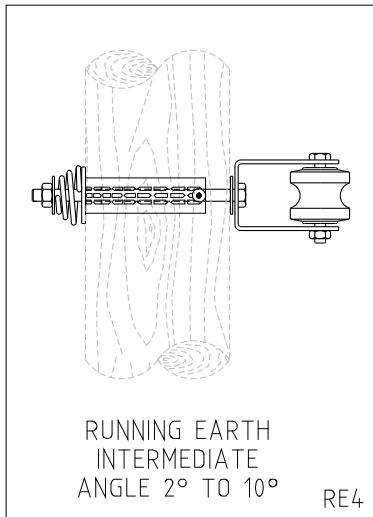
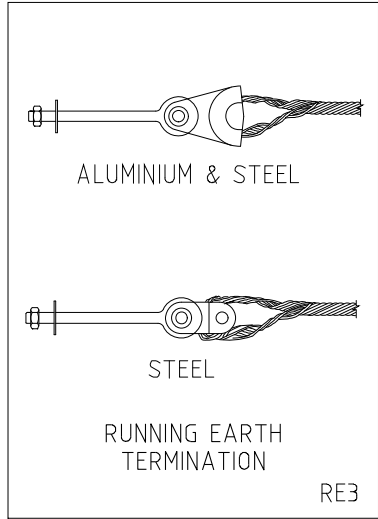
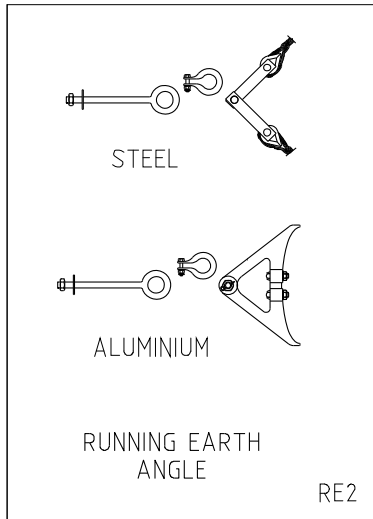
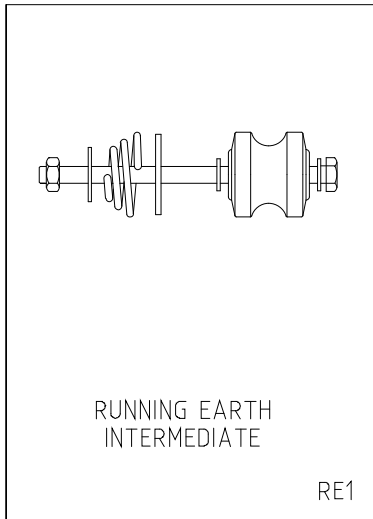
RE Drawings Revision List

CU	DATE	REVISION	DESCRIPTION OF REVISION
	Sept 2002		Original Issue
	Dec 2005		Refer to Amendment List
	May 2009		Refer to Amendment List
	Dec 2009		Refer to Amendment List and Revised Format
	Apr 2011		Refer to Amendment List
	Jul 2013		Refer to Amendment List
	Oct 2013		Refer to Amendment List
	Nov 2014		Refer to Amendment List
	Dec 2014		Refer to Amendment List
	April 2015		Refer to Amendment List
	Sept 2015		Refer to Amendment List
	June 2016		Refer to Amendment List
	Aug 2016		Refer to Amendment List
	Mar 2017		Refer to Amendment List
	Apr 2018		Refer to Amendment List
	Dec 2018		Refer to Amendment List

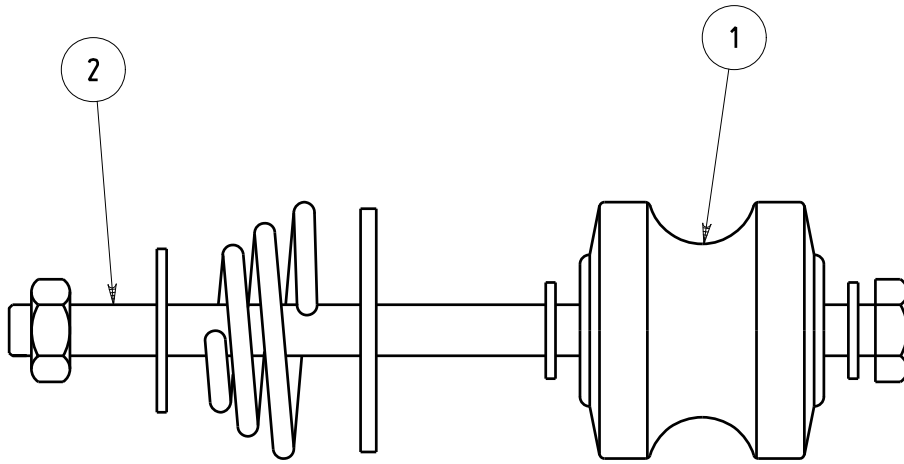


Running Earth and Street light Feed List

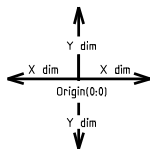
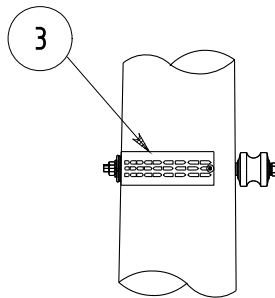
CU	CU DESCRIPTION
RE1	Running earth intermediate
RE2_7/475A	Running earth angle – 7/4.75 AAC/AAAC
RE2_7/250A	Running earth angle – 7/2.50 AAC/AAAC and 6/1/3.00 ACSR/AACSR
RE2_3/275SC	Running earth angle – 3/2.75 SCGZ
RE2_7/160SC	Running earth angle – 7/1.60 SCGZ
RE2_3/275AC	Running earth angle – 3/2.75 SCAC
RE3_7/250AA	Running earth termination – 7/2.50 AAC and AAAC
RE3_7/475AA	Running earth termination – 7/4.75 AAC and AAAC
RE3_19/325AA	Running earth termination – 19/3.25 AAC and AAAC
RE3_3/275AC	Running earth termination – 3/2.75 SCAC
RE3_3/275SC	Running earth termination – 3/2.75 SCGZ
RE3_7/160SC	Running earth termin – 7/1.60 SCGZ
RE3_6/1/300	Running earth termin – 6/1/3.00 ACSR/AC
RE4	Running Earth Intermediate Angle 2° to 10°
RE6	Running earth Intermediate Wishbone Raiser
RE7_TC	Street light Feed Termination - concrete
RE7_TW	Street light Feed Termination - wood
RE8_IC	Street light Feed Intermediate - concrete
RE8_IW	Street light Feed Intermediate - wood



				COMPATIBLE UNIT		DISTRIBUTION DESIGN CATALOGUE			
				TITLE		DRAWN: JRR DATE: 17-04-2014		DRG. No.	
				RE COMPATIBLE UNITS		ORIGINATED: SCALE: NTS		RE INDEX	
						CHECKED: REE		REV. D	
						APPROVED: GRANT STACY		SHT.	
D	04.12.14	FORMAT CHANGED AND RE4 ADDED	JC	REE	GS				
C	27.09.13	ORIGINAL ISSUE							
R No	DATE	DESCRIPTION	DRG	CHEK	APRO				



350



Design Dimensions

Phase	X dim	Y dim
R/E	350	0

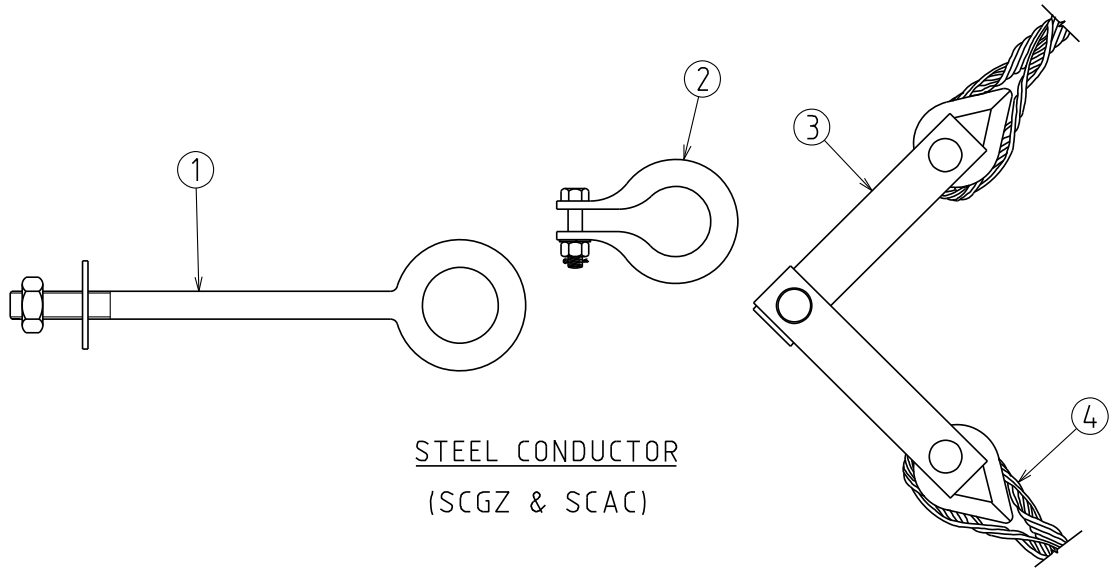
Origin - Bolt (0,0)
Attachment height - DCSH

				COMPATIBLE UNIT			DISTRIBUTION DESIGN CATALOGUE				
				TITLE			DRAWN: JRR DATE: 17-04-2014		DRG. No.		
				RUNNING EARTH - INTERMEDIATE			ORIGINATED: SCALE: NTS		RE01		
							CHECKED: REE		REV. SHT.		
							APPROVED: GRANT STACY		E		
REV	DATE	DESCRIPTION	DRG.	CHKD.	APRD.						
E	02.02.12	DISPERSION PLATE ADDED		REE	JC	GS					
D	28.03.13	ORIGINAL ISSUE									

CU	CU Description
----	----------------

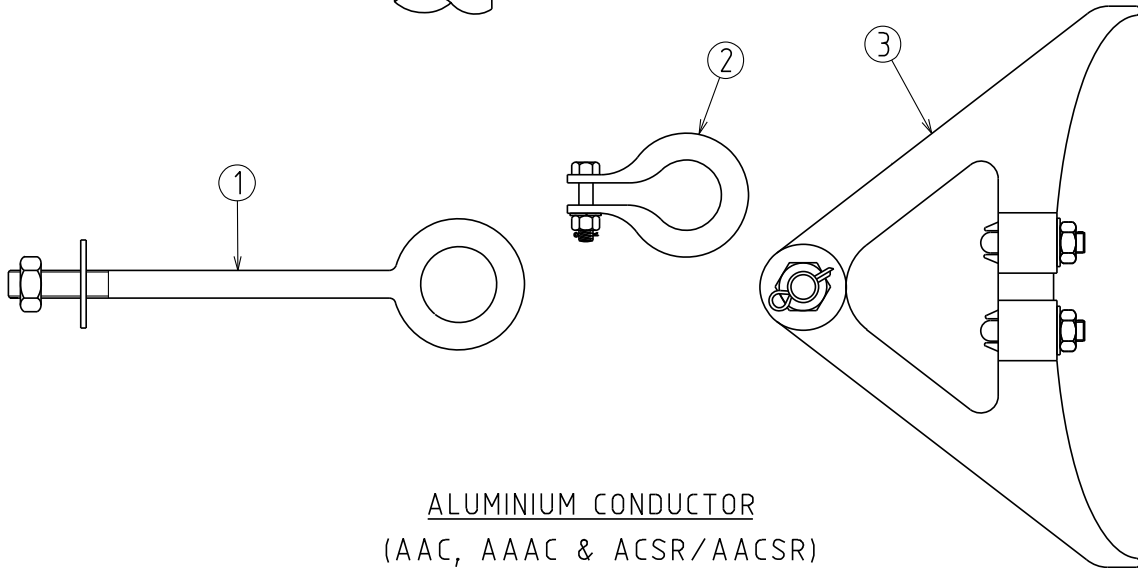
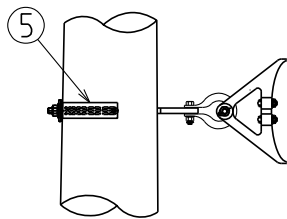
RE1 Running earth intermediate					
ITEM NUMBER	STOCK CODE	DESCRIPTION	QTY RQD	UNIT OF MEASURE	REMARKS
1	IA0256	shackle insulator	1	ea	
2	AB6732	Pole bolt - M16x550mm lg with nut and washers	1	ea	
3	CE7541	dispersion plate	1	ea	



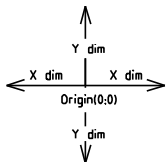


STEEL CONDUCTOR
(SCGZ & SCAC)

350



ALUMINIUM CONDUCTOR
(AAC, AAAC & ACSR/AACSR)



Design Dimensions

Phase	X dim	Y dim
R/E	350	0

Origin - Bolt (0:0)
Attachment height - DCSH

COMPATIBLE UNIT				DISTRIBUTION DESIGN CATALOGUE		westernpower	
TITLE				DRAWN: JRR		DATE: 17-04-2014	
ANGLE RUNNING EARTH				ORIGINATED:		SCALE: NTS	
				CHECKED: REE		ORG. No. RE02	
				APPROVED: GRANT STACY		REV. F	
REV	DATE	DESCRIPTION	DRG	CHKD	APRD	SHT.	

CU	CU Description
----	----------------

RE2_7/475A		Running earth angle – 7/4.75 AAC / AAAC			
ITEM NUMBER	STOCK CODE	DESCRIPTION	QTY ROD	UNIT OF MEASURE	REMARKS
1	AB6025	eyebolt M16x400 long with nut and washer	1	ea	
2	OS0055	bow shackle	1	ea	
3	CC0166	Angle assembly	1	ea	
5	CE7541	dispersion plate	1	ea	

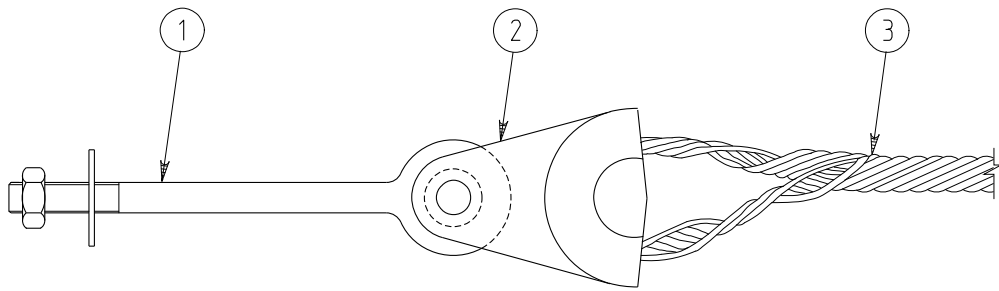
RE2_7/250A		Running earth angle – 7/2.50 AAC / AAAC and 6/1/3.00 ACSR/AACSR			
ITEM NUMBER	STOCK CODE	DESCRIPTION	QTY ROD	UNIT OF MEASURE	REMARKS
1	AB6025	eyebolt M16x400 long with nut and washer	1	ea	
2	OS0055	bow shackle	1	ea	
3	CC0167	Angle assembly	1	ea	
5	CE7541	dispersion plate	1	ea	

RE2_3/275SC		Running earth angle – 3/2.75 SCGZ			
ITEM NUMBER	STOCK CODE	DESCRIPTION	QTY ROD	UNIT OF MEASURE	REMARKS
1	AB6025	eyebolt M16x400 long with nut and washer	1	ea	
2	OS0055	bow shackle	1	ea	
3	CA0055	Angle assembly	1	ea	
4	CF0661	Helical termination	2	ea	
5	CE7541	dispersion plate	1	ea	

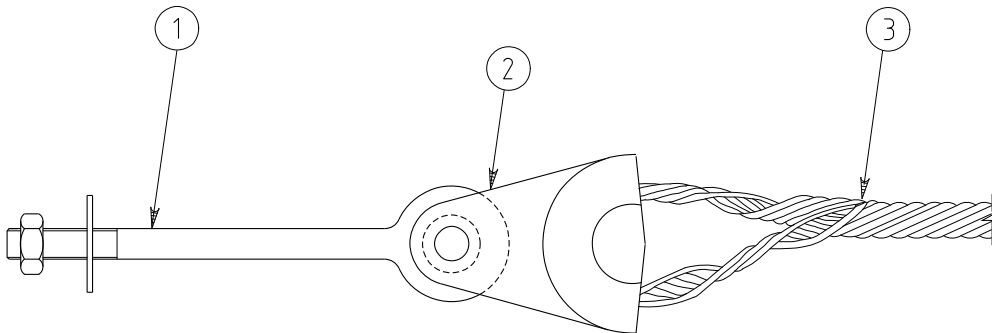
RE2_7/160SC		Running earth angle – 7/1.60 SCGZ			
ITEM NUMBER	STOCK CODE	DESCRIPTION	QTY ROD	UNIT OF MEASURE	REMARKS
1	AB6025	eyebolt M16x400 long with nut and washer	1	ea	
2	OS0055	bow shackle	1	ea	
3	CA0055	Angle assembly	1	ea	
4	CF0669	Helical termination	2	ea	
5	CE7541	dispersion plate	1	ea	

RE2_3/275AC		Running earth angle – 3/2.75 SCAC			
ITEM NUMBER	STOCK CODE	DESCRIPTION	QTY ROD	UNIT OF MEASURE	REMARKS
1	AB6025	eyebolt M16x400 long with nut and washer	1	ea	
2	OS0055	bow shackle	1	ea	
3	CA0055	Angle assembly	1	ea	
4	CF0700	Helical termination	2	ea	
5	CE7541	dispersion plate	1	ea	

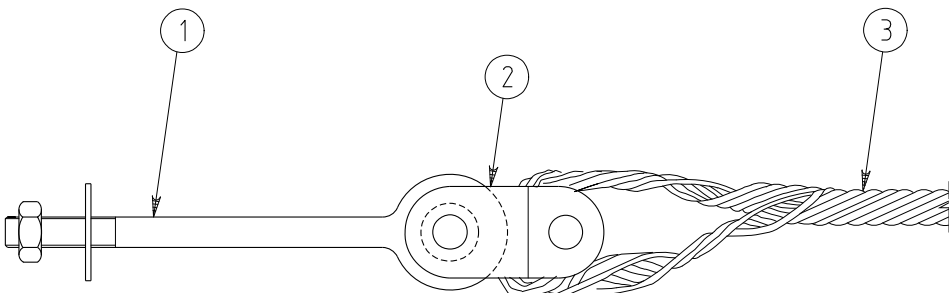




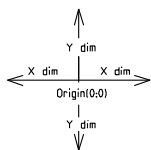
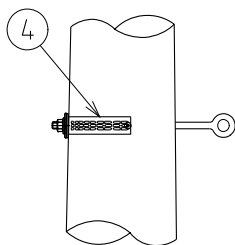
ALUMINIUM CONDUCTOR
(AAC, AAAC & ACSR/AACSR)



STEEL CONDUCTOR
(SCAC)



STEEL CONDUCTOR
(SCGZ)



Design Dimensions

Phase	X dim	Y dim
R/E	0	0

Origin - Bolt (0:0)
Attachment height - DCSH

				COMPATIBLE UNIT		DISTRIBUTION DESIGN CATALOGUE			
				TITLE		DRAWN: JRR		DATE: 17-04-2014	
				RUNNING EARTH TERMINATION		ORIGINATED: SCALE: NTS		DRG. No. RE03	
						CHECKED: REE		APPROVED: GRANT STACY	
						APPROVED: GRANT STACY		REV. F	
REV	DATE	DESCRIPTION	DRG.	CHKD.	APRD.			SHT.	
F	13.11.18	SUB TITLE CHANGED	NW	REE	GS				
E	21.09.15	FORMAT CHANGED AND EYE BOLT CHANGED	JC	REE	GS				
D	28.03.13	ORIGINAL ISSUE							

CU	CU Description
----	----------------

RE3_7/250AA		Running earth termin – 7/2.50 AAC/AAAC			
ITEM NUMBER	STOCK CODE	DESCRIPTION	QTY RQD	UNIT OF MEASURE	REMARKS
1	AB6025	eyebolt M16x400 long with nut and washer	1	ea	
2	CT0011	clevis thimble alum	1	ea	
3	CF0752	Helical termination	1	ea	
4	CE7541	dispersion plate	1	ea	

RE3_7/475AA		Running earth termin – 7/4.75 AAC/AAAC			
ITEM NUMBER	STOCK CODE	DESCRIPTION	QTY RQD	UNIT OF MEASURE	REMARKS
1	AB6025	eyebolt M16x400 long with nut and washer	1	ea	
2	CT0011	clevis thimble alum	1	ea	
3	CF0757	Helical termination	1	ea	
4	CE7541	dispersion plate	1	ea	

RE3_19/325AA		Running earth termin – 19/3.25 AAC/AAAC			
ITEM NUMBER	STOCK CODE	DESCRIPTION	QTY RQD	UNIT OF MEASURE	REMARKS
1	AB6025	eyebolt M16x400 long with nut and washer	1	ea	
2	CT0011	clevis thimble steel	1	ea	
3	CF0758	Helical termination	1	ea	
4	CE7541	dispersion plate	1	ea	

RE3_3/275AC		Running earth termin – 3/2.75 SCAC			
ITEM NUMBER	STOCK CODE	DESCRIPTION	QTY RQD	UNIT OF MEASURE	REMARKS
1	AB6025	eyebolt M16x400 long with nut and washer	1	ea	
2	CT0011	clevis thimble steel	1	ea	
3	CF0700	Helical termination	1	ea	
4	CE7541	dispersion plate	1	ea	

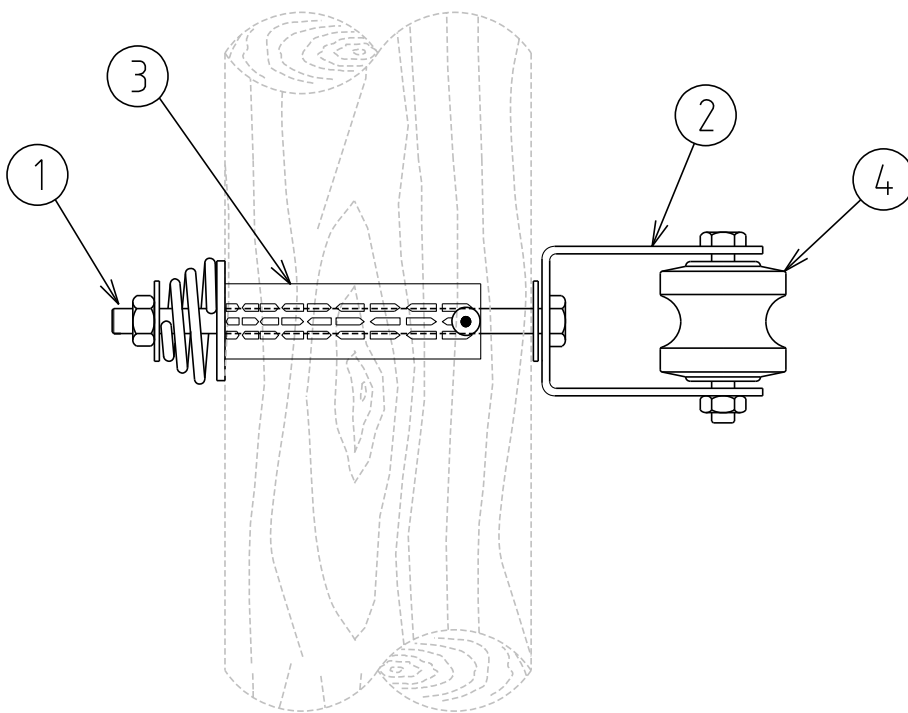
RE3_3/275SC		Running earth termin – 3/2.75 SCGZ			
ITEM NUMBER	STOCK CODE	DESCRIPTION	QTY RQD	UNIT OF MEASURE	REMARKS
1	AB6025	eyebolt M16x400 long with nut and washer	1	ea	
2	CT0037	clevis thimble steel	1	ea	
3	CF0661	Helical termination	1	ea	
4	CE7541	dispersion plate	1	ea	



CU	CU Description
----	----------------

RE3_7/160SC		Running earth termin – 7/1.60 SCGZ			
ITEM NUMBER	STOCK CODE	DESCRIPTION	QTY ROD	UNIT OF MEASURE	REMARKS
1	AB6025	eyebolt M16x400 long with nut and washer	1	ea	
2	CT0037	clevis thimble steel	1	ea	
3	CF0669	Helical termination	1	ea	
4	CE7541	dispersion plate	1	ea	

RE3_6/1/300		Running earth termin – 6/1/3.00 AACSR/AC			
ITEM NUMBER	STOCK CODE	DESCRIPTION	QTY ROD	UNIT OF MEASURE	REMARKS
1	AB6025	eyebolt M16x400 long with nut and washer	1	ea	
2	CT0011	clevis thimble steel	1	ea	
3	CF0611	Helical termination	1	ea	
4	CE7541	dispersion plate	1	ea	

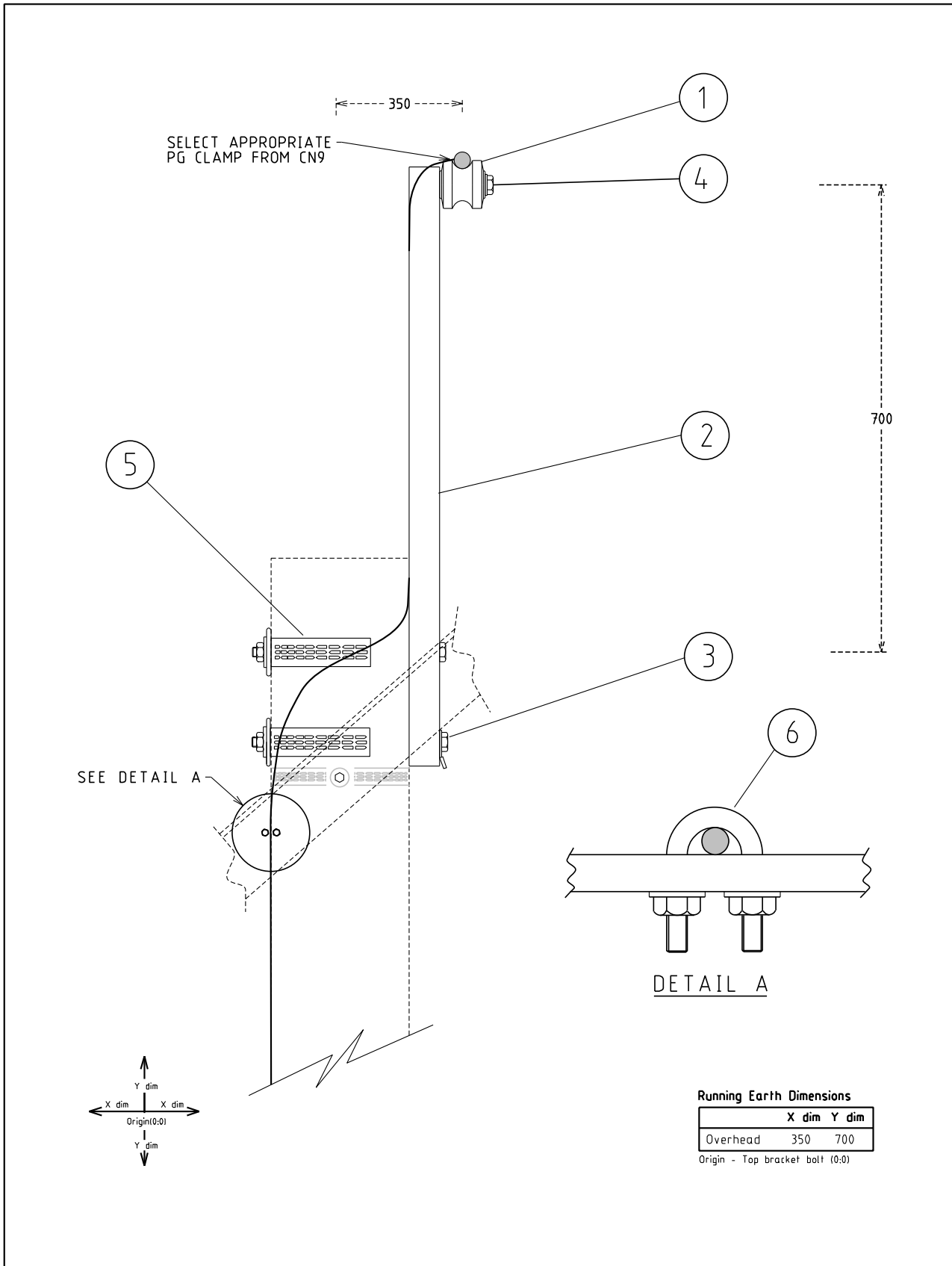


				COMPATIBLE UNIT			DISTRIBUTION DESIGN CATALOGUE		westernpower	
				TITLE			DRAWN: JRR DATE: 03-12-2014		ORG. No.	
				RUNNING EARTH INTERMEDIATE ANGLE 2° TO 10°			ORIGINATED: SCALE: NTS		RE04	
							CHECKED: REE		REV: SHT.	
REV	DATE	DESCRIPTION	DRG.	CHKD.	APRO.	APPROVED: GRANT STACY		E		
E	26.03.18	SHACKLE TYPE CHANGED	JC	LT	GS					
D	04.12.14	FORMAT CHANGED AND REDRAWN	JC	REE	GS					
C	27.09.13	ORIGINAL ISSUE								

CU	CU Description
----	----------------

RE4 Running Earth Intermediate Angle 2° to 10°					
ITEM NUMBER	STOCK CODE	DESCRIPTION	QTY ROD	UNIT OF MEASURE	REMARKS
1	AB6732	Pole bolt – M16x550 lg with nut and washers	1	ea	
2	CB0316	Shackle 'U' Style	1	ea	
3	CE7541	Dispersion Plate	1	ea	
4	IA0256	Strain Insulator Porcelain Blue	1	ea	



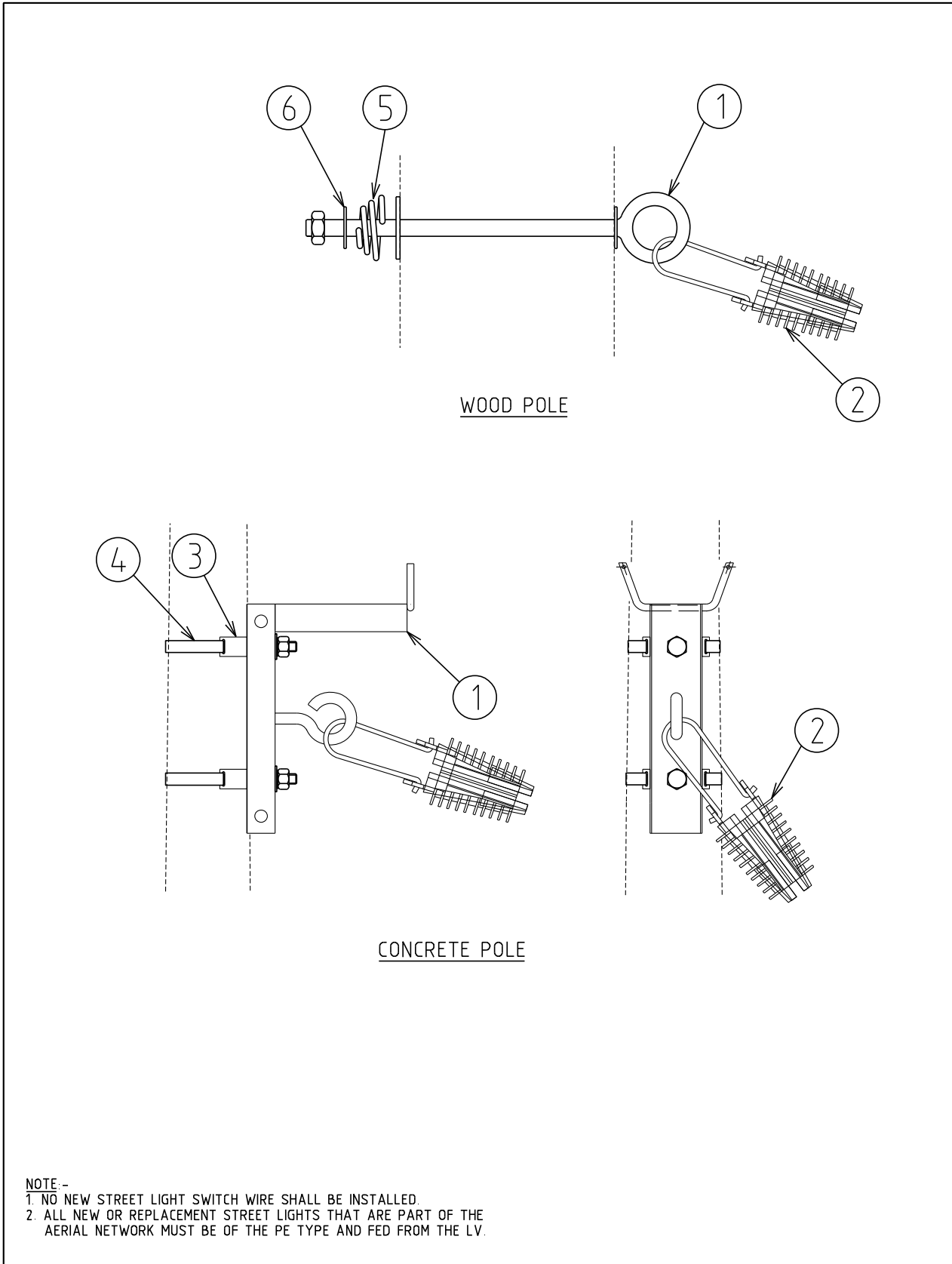


				COMPATIBLE UNIT		DISTRIBUTION DESIGN CATALOGUE		westernpower	
				TITLE		DRAWN: JRR DATE: 17-04-2016		DRG. No.	
				RUNNING EARTH INTERMEDIATE WISHBONE RAISER		ORIGINATED: SCALE: NTS		RE06	
						CHECKED: REE		REV. SHT.	
						APPROVED: GRANT STACY		E	
D	08.08.13	ORIGINAL ISSUE		DRG.	CHKD.	APRD.			
REV	DATE	DESCRIPTION							

CU	CU Description
----	----------------

RE6 Running earth intermediate wishbone raiser					
ITEM NUMBER	STOCK CODE	DESCRIPTION	QTY ROD	UNIT OF MEASURE	REMARKS
1	IA0256	shackle insulator	1	ea	
2	CB0170	earth raiser bracket	1	ea	
3	AB6733	Pole bolt – M16x400 lg with nut and washers	2	ea	
4	AB4611	bolt – M16x120mm lg with nut and washers	1	ea	
5	CE7541	dispersion plate	2	ea	
6	OG0351	U-bolt	2	ea	





NOTE -
 1. NO NEW STREET LIGHT SWITCH WIRE SHALL BE INSTALLED.
 2. ALL NEW OR REPLACEMENT STREET LIGHTS THAT ARE PART OF THE AERIAL NETWORK MUST BE OF THE PE TYPE AND FED FROM THE LV.

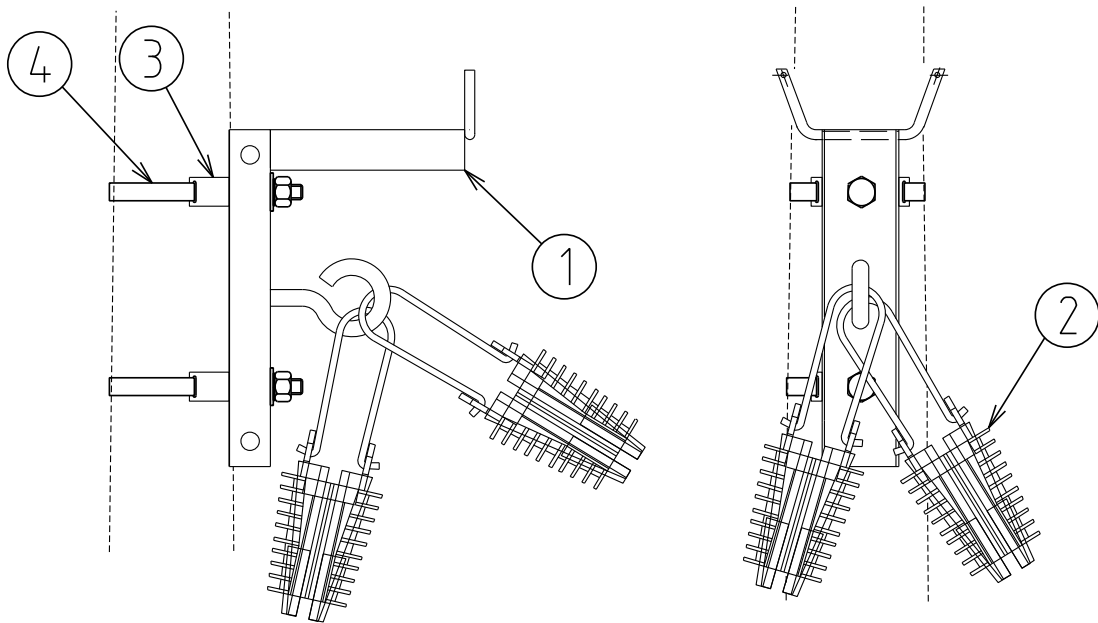
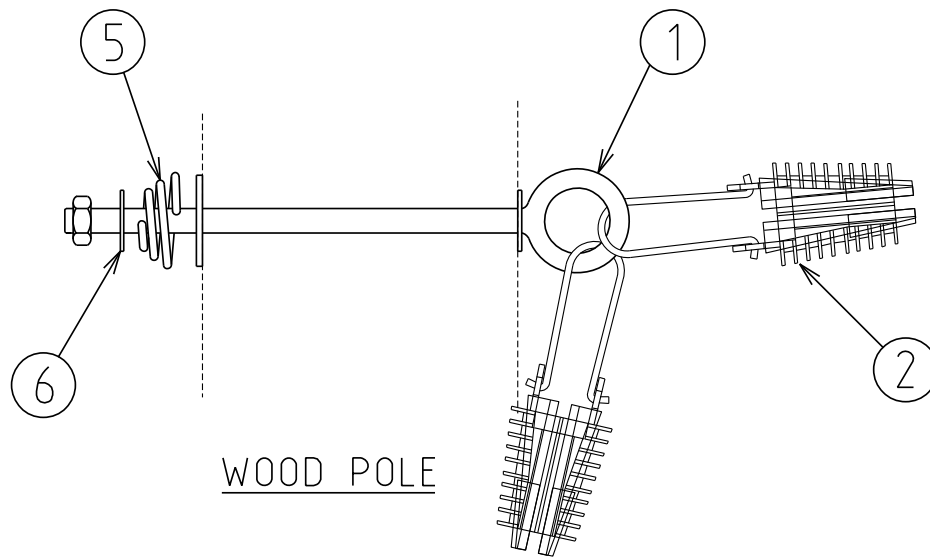
				COMPATIBLE UNIT			DISTRIBUTION DESIGN CATALOGUE			
				TITLE			DRAWN: JRR		DATE: 17-04-2014	
				STREET LIGHT FEED TERMINATION			ORIGINATED:		SCALE: NTS	
							CHECKED: REE		RE07	
							APPROVED: GRANT STACY		REV: B	
REV	DATE	DESCRIPTION	ORGD.	CHKD.	APRD.			SHT.		



CU	CU Description
----	----------------

RE7_TC		Street light Feed Termination_concrete			
ITEM NUMBER	STOCK CODE	DESCRIPTION	QTY ROD	UNIT OF MEASURE	REMARKS
1	CB3020	Universal ABC bracket	1	ea	
2	CC0112	Clamp strain wedge 6-25sq mm	1	ea	
3	CB3055	Bracket ABC suspension clamp	2	ea	
4		32mm Bandit strap	1		As reqd

RE7_TW		Street light Feed Termination_wood			
ITEM NUMBER	STOCK CODE	DESCRIPTION	QTY ROD	UNIT OF MEASURE	REMARKS
1	AB6037	Eye bolt M20 350mm lg	1	ea	
2	CC0112	Clamp strain wedge 6-25sq mm	1	ea	
5	CZ0335	Helical coil spring washer M20	1	ea	
6	AW3546	Washer square 50x50mm M20	1	ea	



				COMPATIBLE UNIT		DISTRIBUTION DESIGN CATALOGUE		westernpower	
				TITLE		DRAWN: JRR DATE: 17-04-2014 DRG. No.		RE08	
				STREET LIGHT FEED - INTERMEDIATE		ORIGINATED: SCALE: NTS			
						CHECKED: REE		REV. B	
						APPROVED: GRANT STACY		SHT.	
REV	DATE	DESCRIPTION	ORGO.	CHKD.	APRO				
B	09.06.16	ITEM 5 & 6 ADDED	JC	REE	GS				
A	22.04.14	ORIGINAL ISSUE							

CU	CU Description
----	----------------

RE8_IC Street light Feed Intermediate- concrete					
ITEM NUMBER	STOCK CODE	DESCRIPTION	QTY ROD	UNIT OF MEASURE	REMARKS
1	CB3020	Universal ABC bracket	1	ea	
2	CC0112	Clamp strain wedge 6-25sq mm	2	ea	
3	CB3055	Bracket ABC suspension clamp	2	ea	
4		32mm Bandit strap	1		As reqd

RE8_IW Street light Feed Intermediate - wood					
ITEM NUMBER	STOCK CODE	DESCRIPTION	QTY ROD	UNIT OF MEASURE	REMARKS
1	AB6037	Eye bolt M20 350mm lg	1	ea	
2	CC0112	Clamp strain wedge 6-25sq mm	2	ea	
5	CZ0335	Helical coil spring washer M20	1	ea	
6	AW3546	Washer square 50x50mm M20	1	ea	